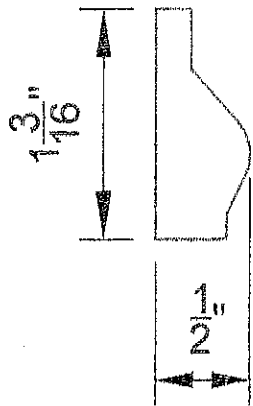
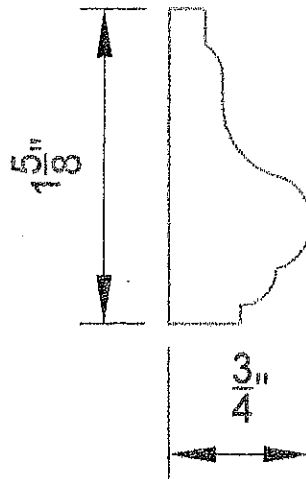


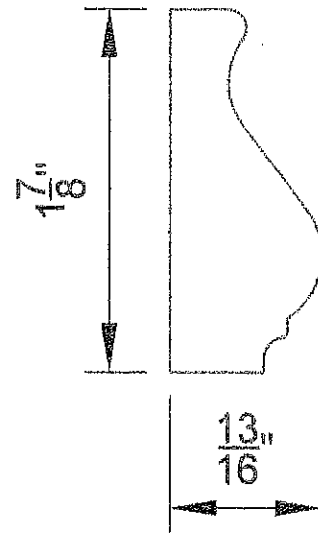
# PANEL MOULDINGS



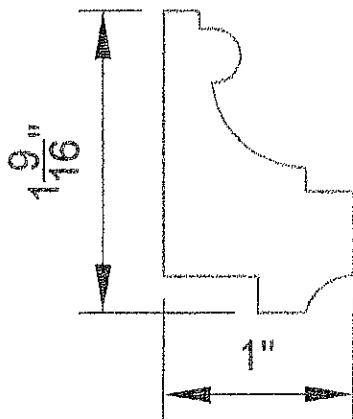
PM 01



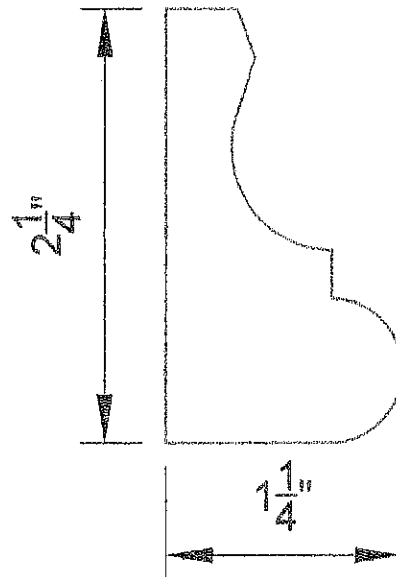
PM 02



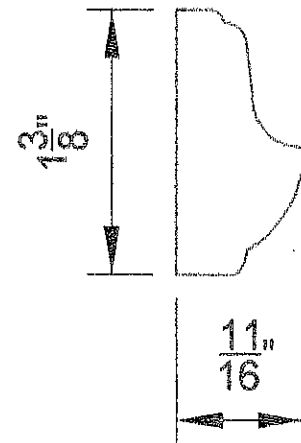
PM 03



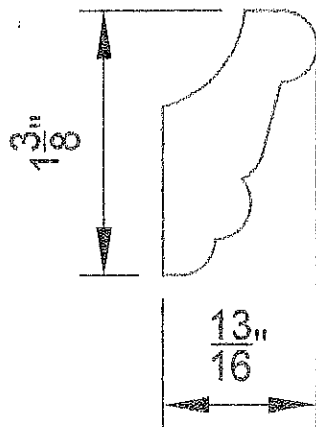
PM 04



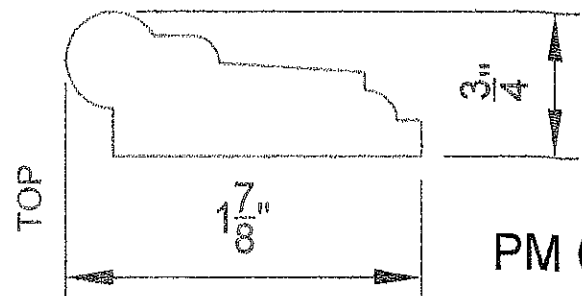
PM 05



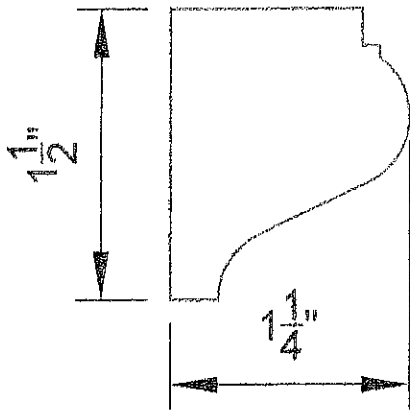
PM 06



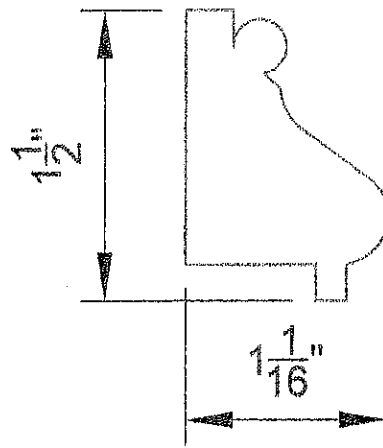
PM 07



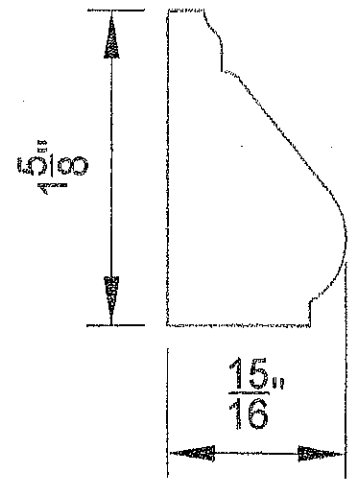
PM 08



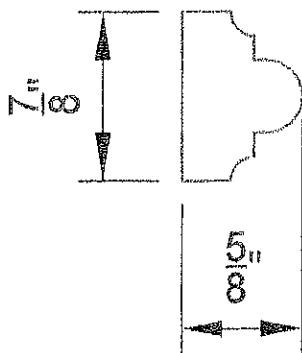
PM 09



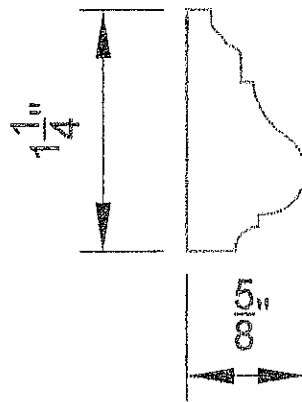
PM 10



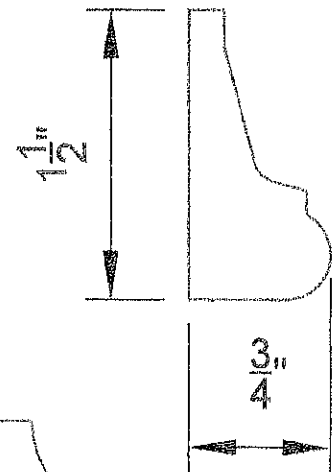
PM 11



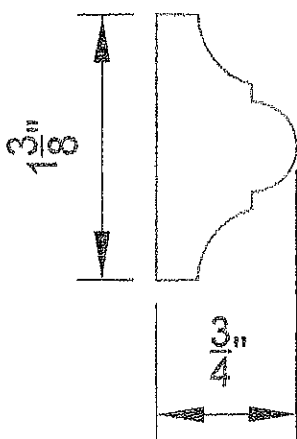
PM 12



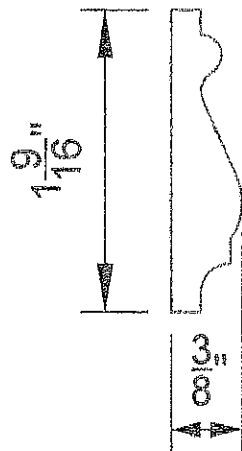
PM 13



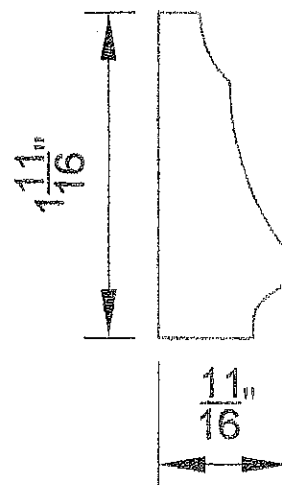
PM 14



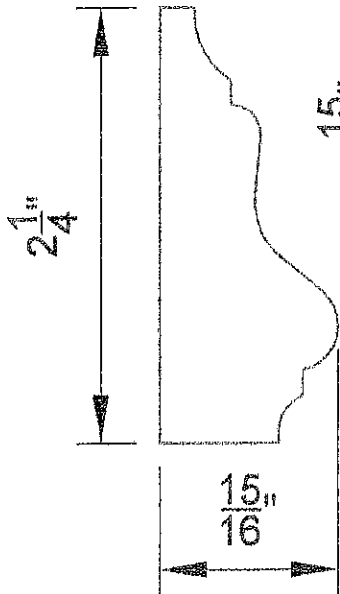
PM 15



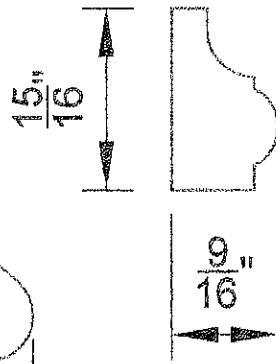
PM 16



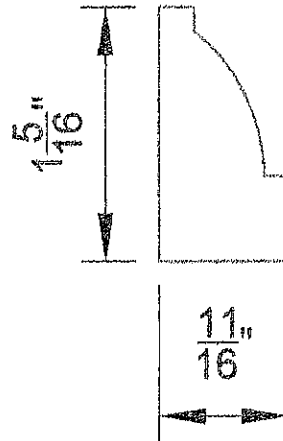
PM 17



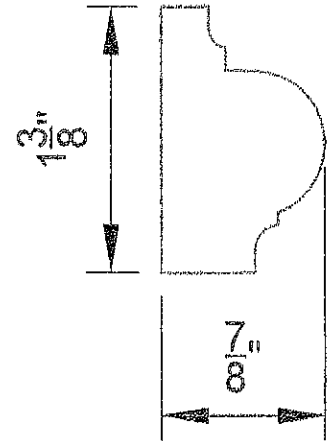
PM 18



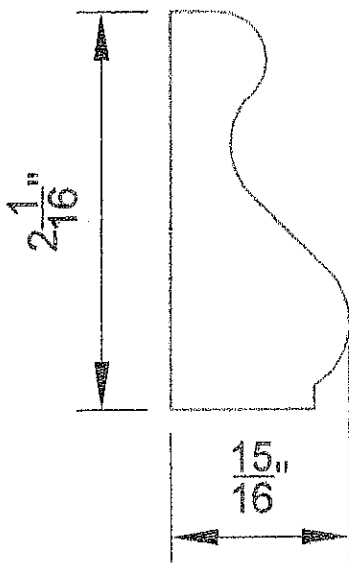
PM 19



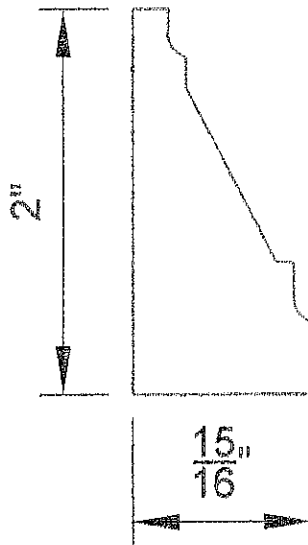
PM 20



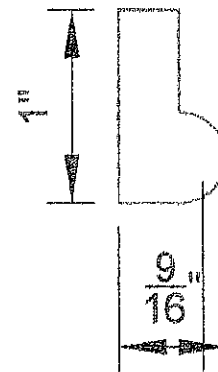
PM 21



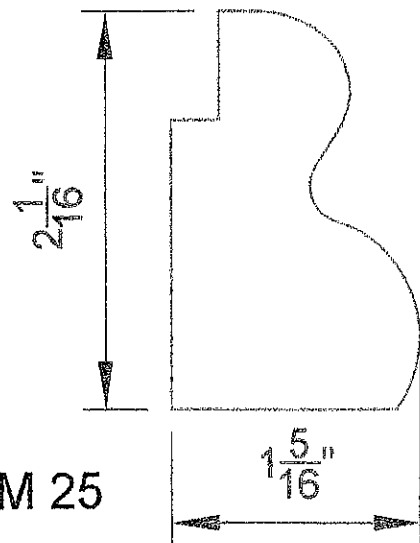
PM 22



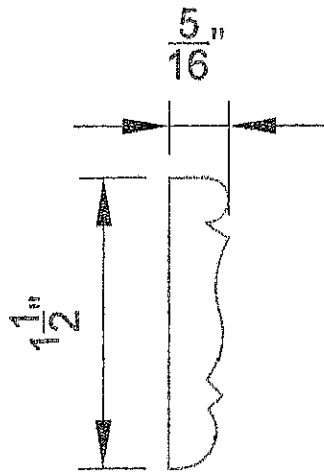
PM 23



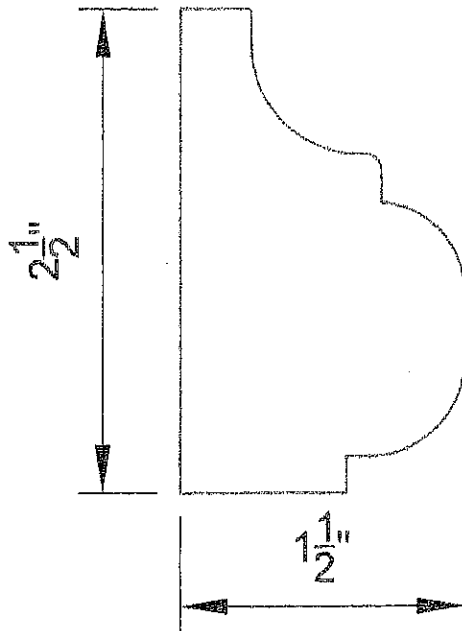
PM 24



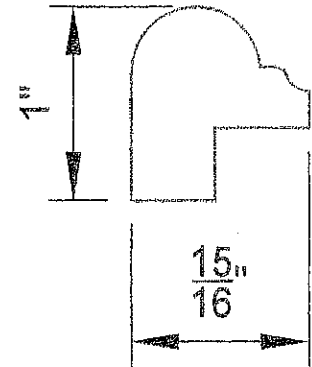
PM 25



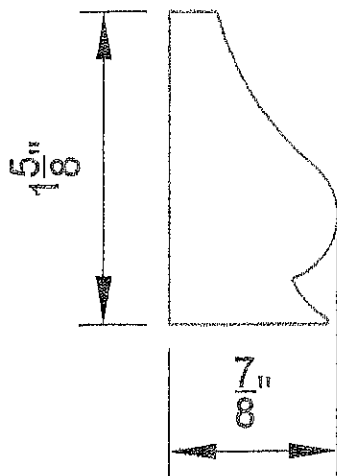
PM 26



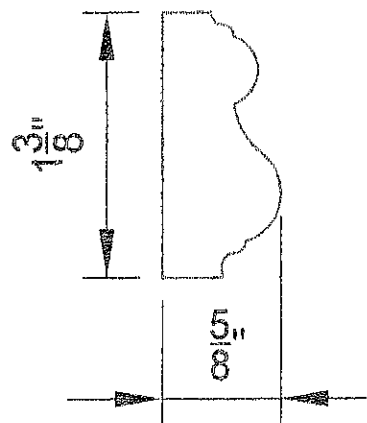
PM 27



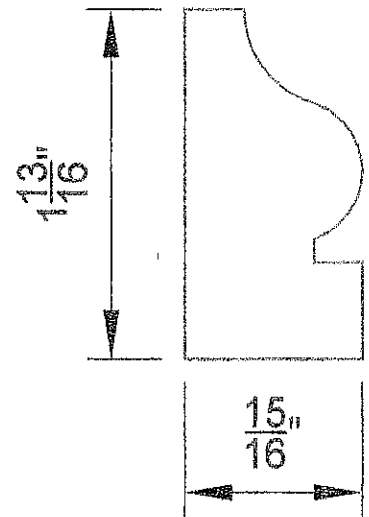
PM 28



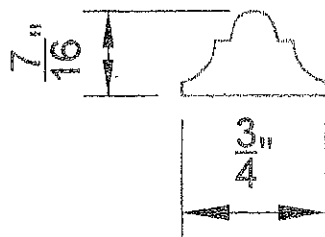
PM 29



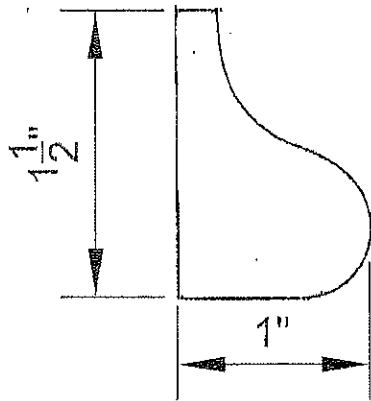
PM 30



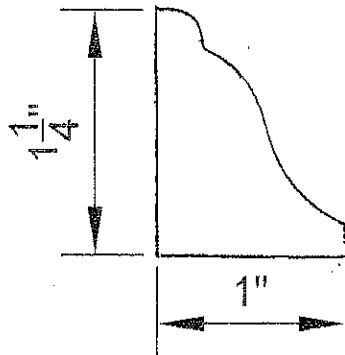
PM 31



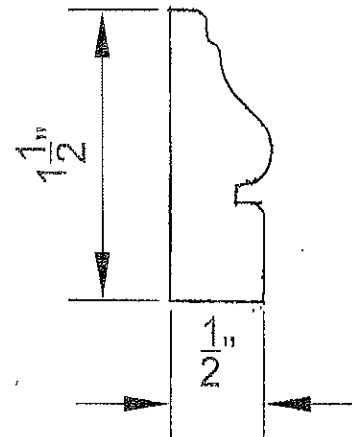
PM 32



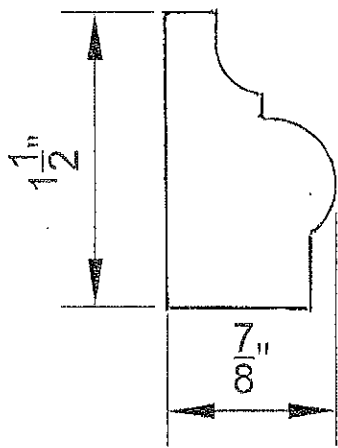
PM 33



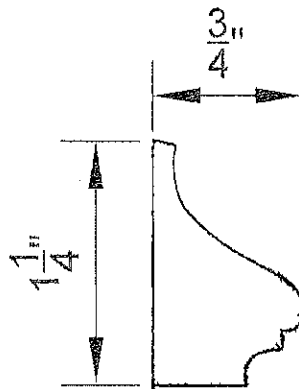
PM 34



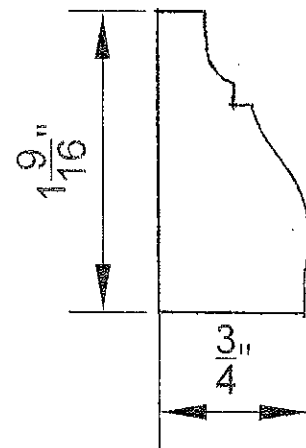
PM 35



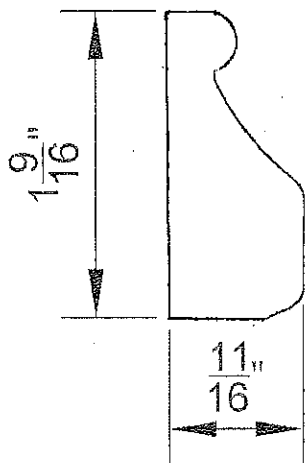
PM 36



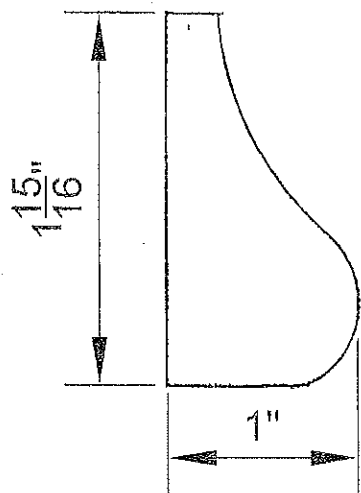
PM 37



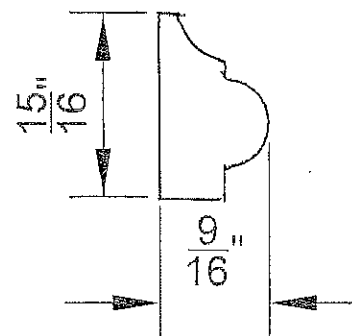
PM 38



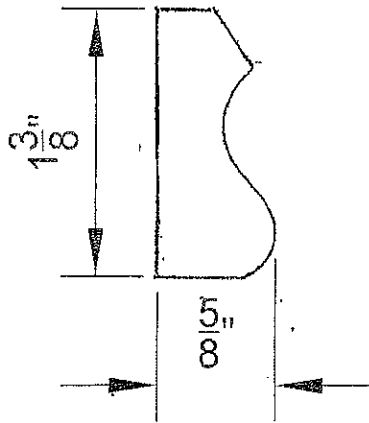
PM 39



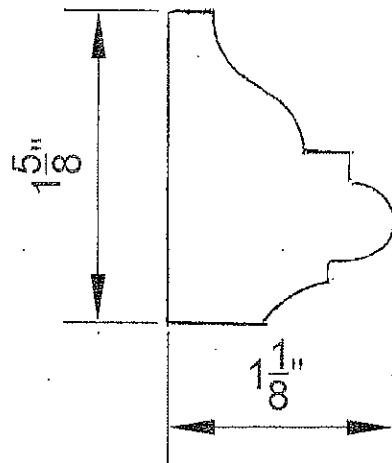
PM 40



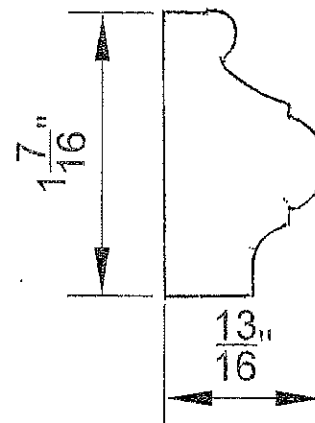
PM 41



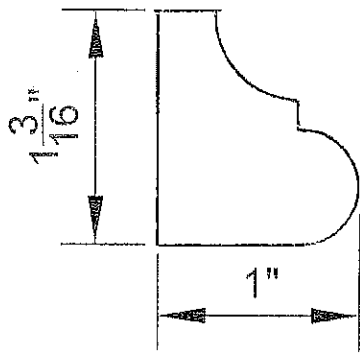
PM 42



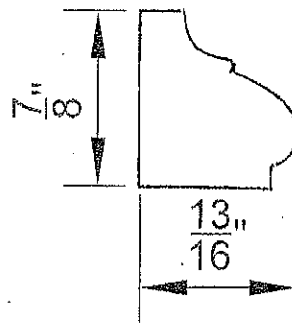
PM 43



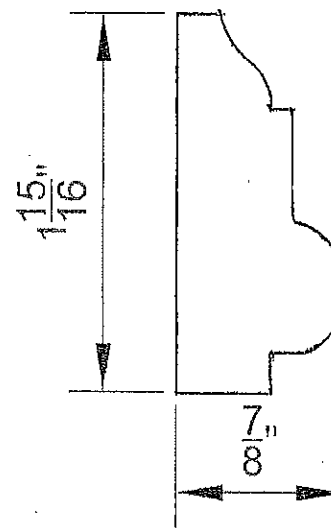
PM 44



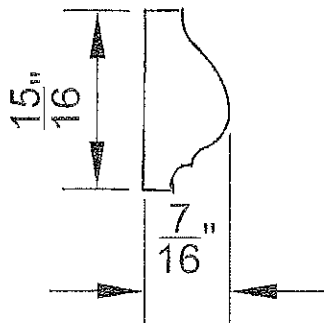
PM 45



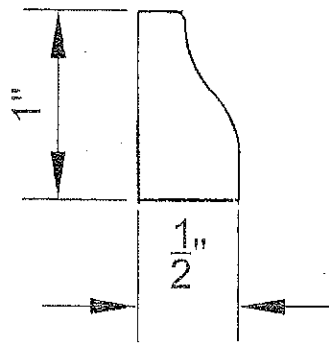
PM 46



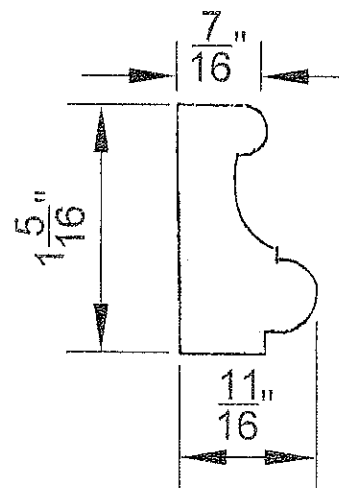
PM 47



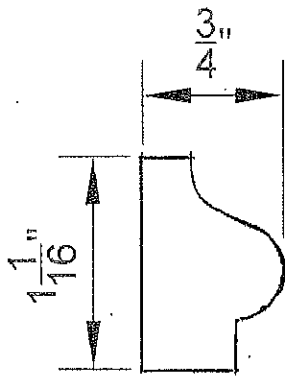
PM 48



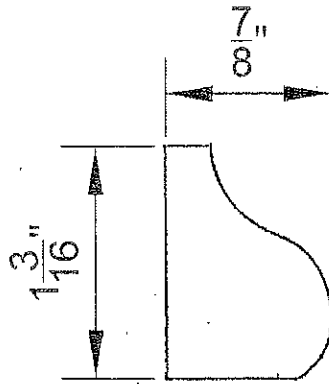
PM 49



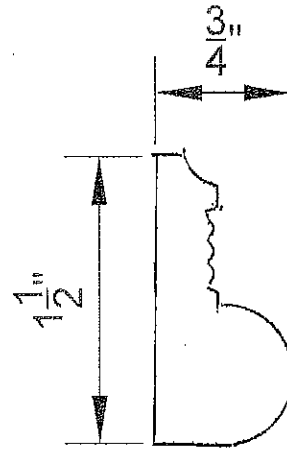
PM 50



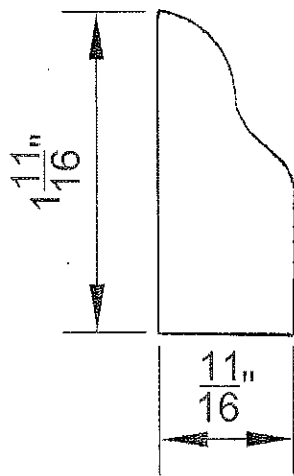
PM 51



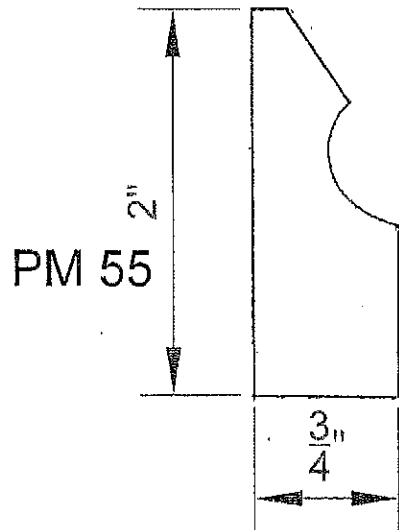
PM 52



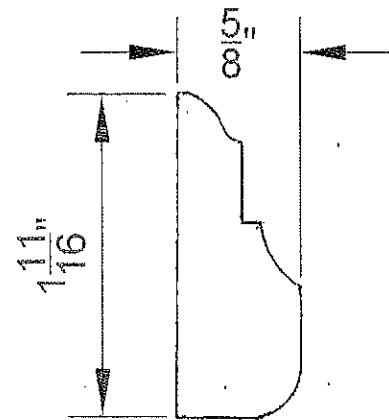
PM 53



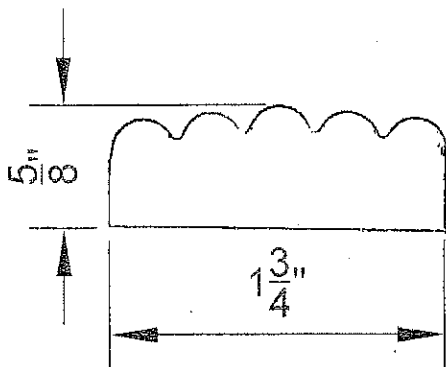
PM 54



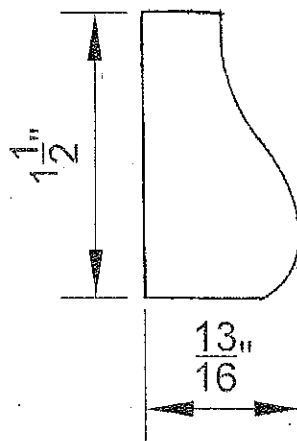
PM 55



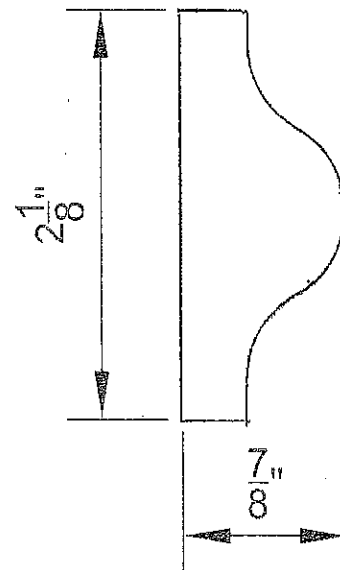
PM 56



PM 57

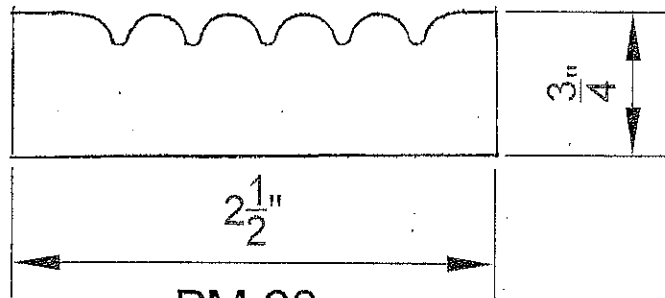


PM 58

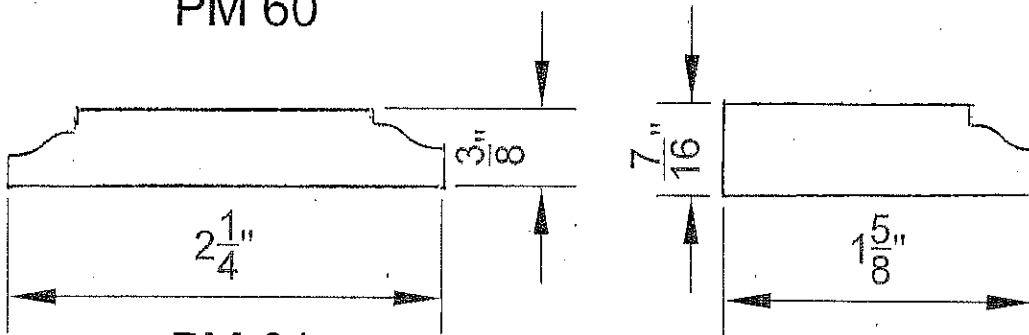


PM 59



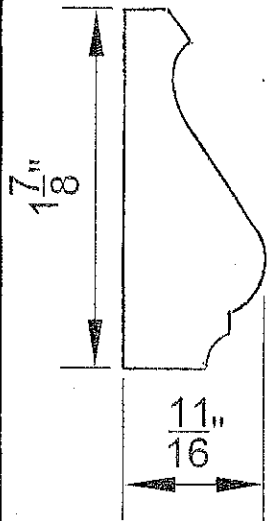


PM 60

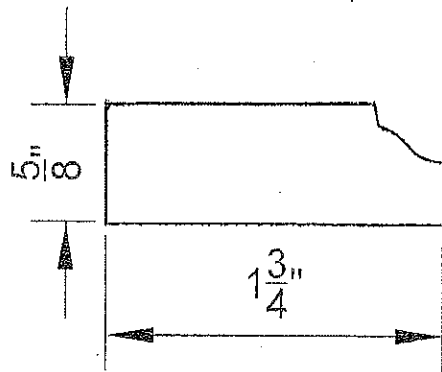


PM 61

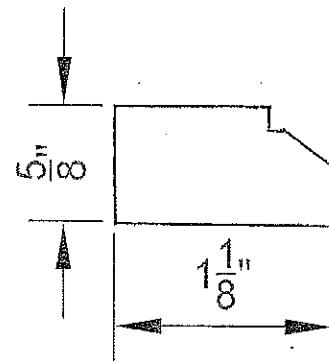
PM 62



PM 63



PM 64



PM 65