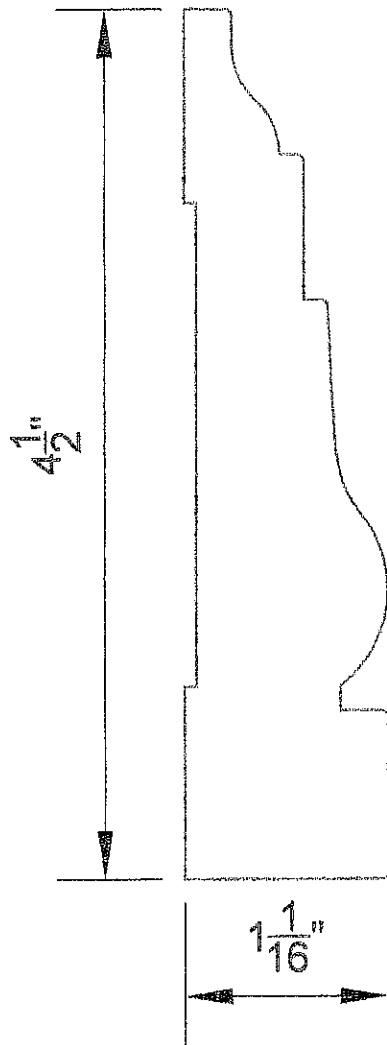
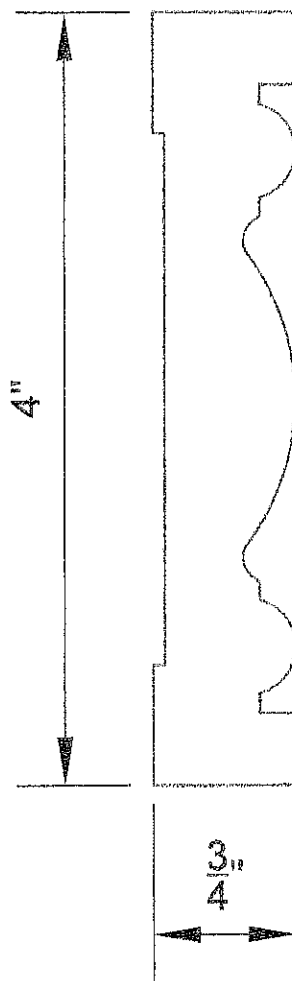


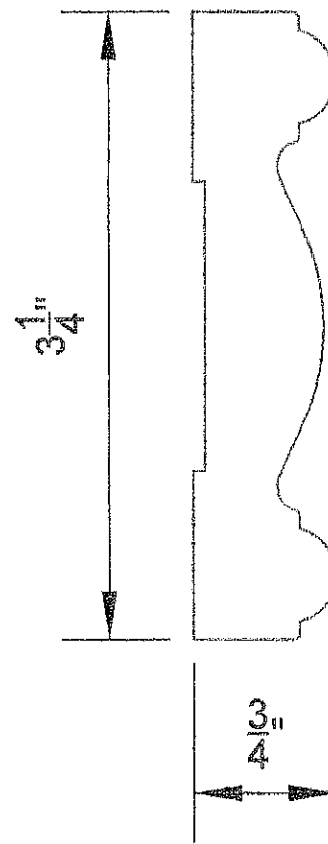
CASING



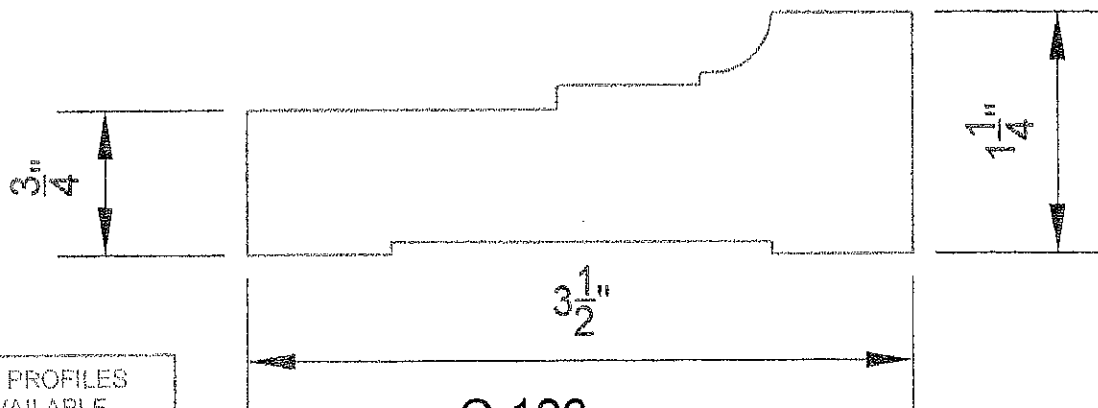
C 100



C 101

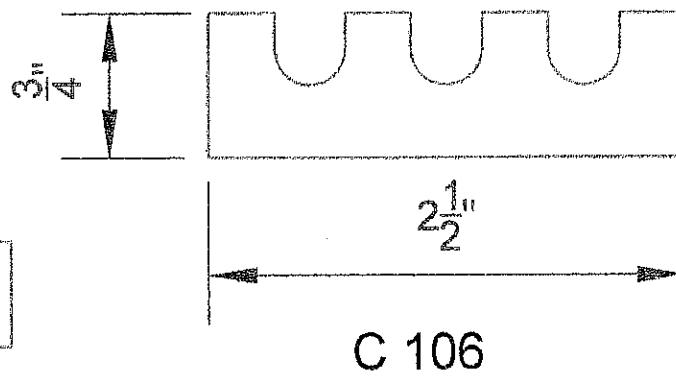
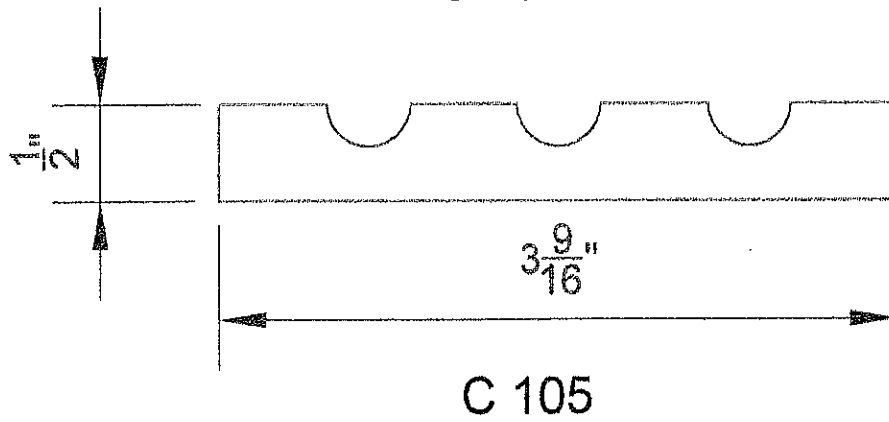
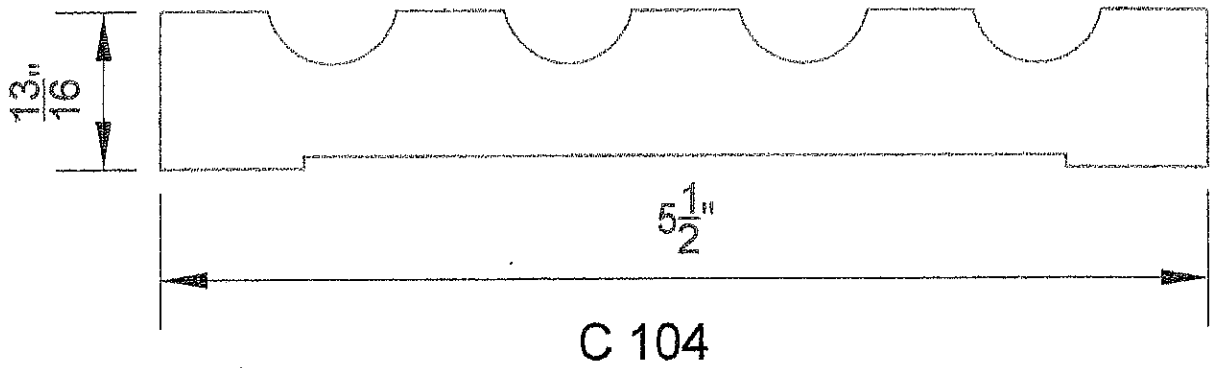


C 102

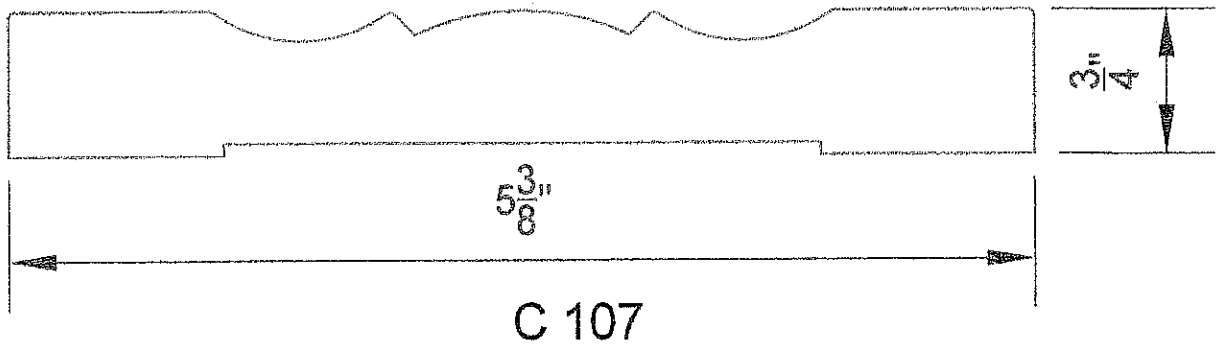


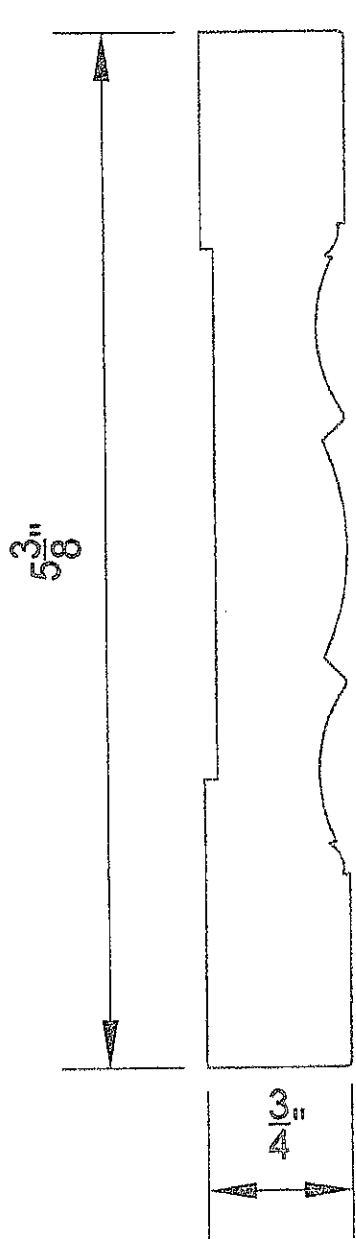
C 103

THESE PROFILES
ARE AVAILABLE
IN CUSTOM WIDTHS

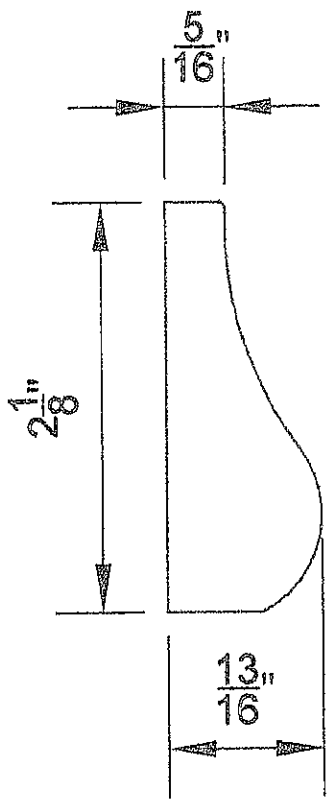


THESE PROFILES
ARE AVAILABLE
IN CUSTOM WIDTHS

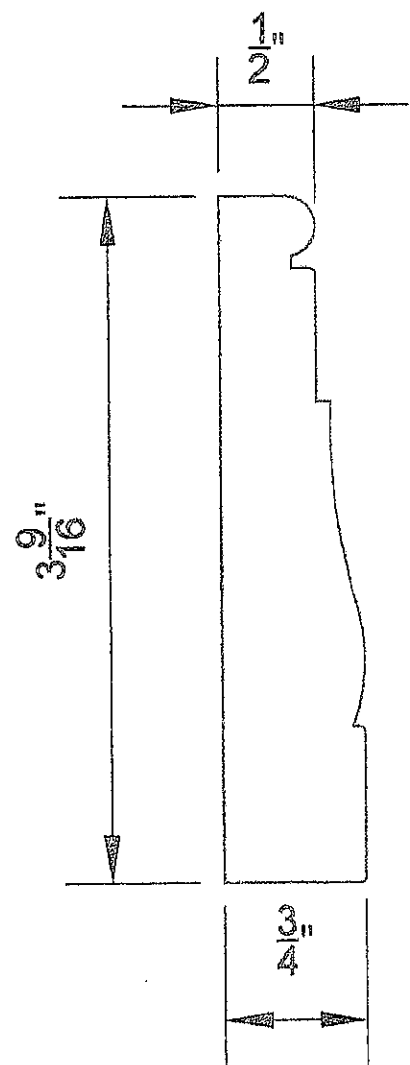




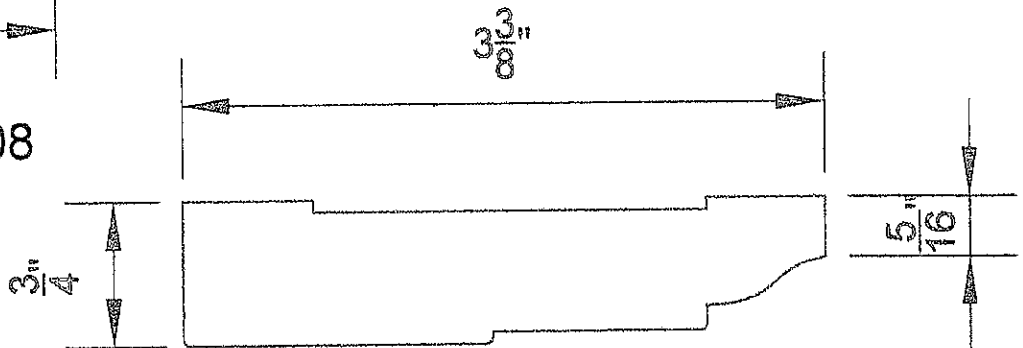
C 108



C 109

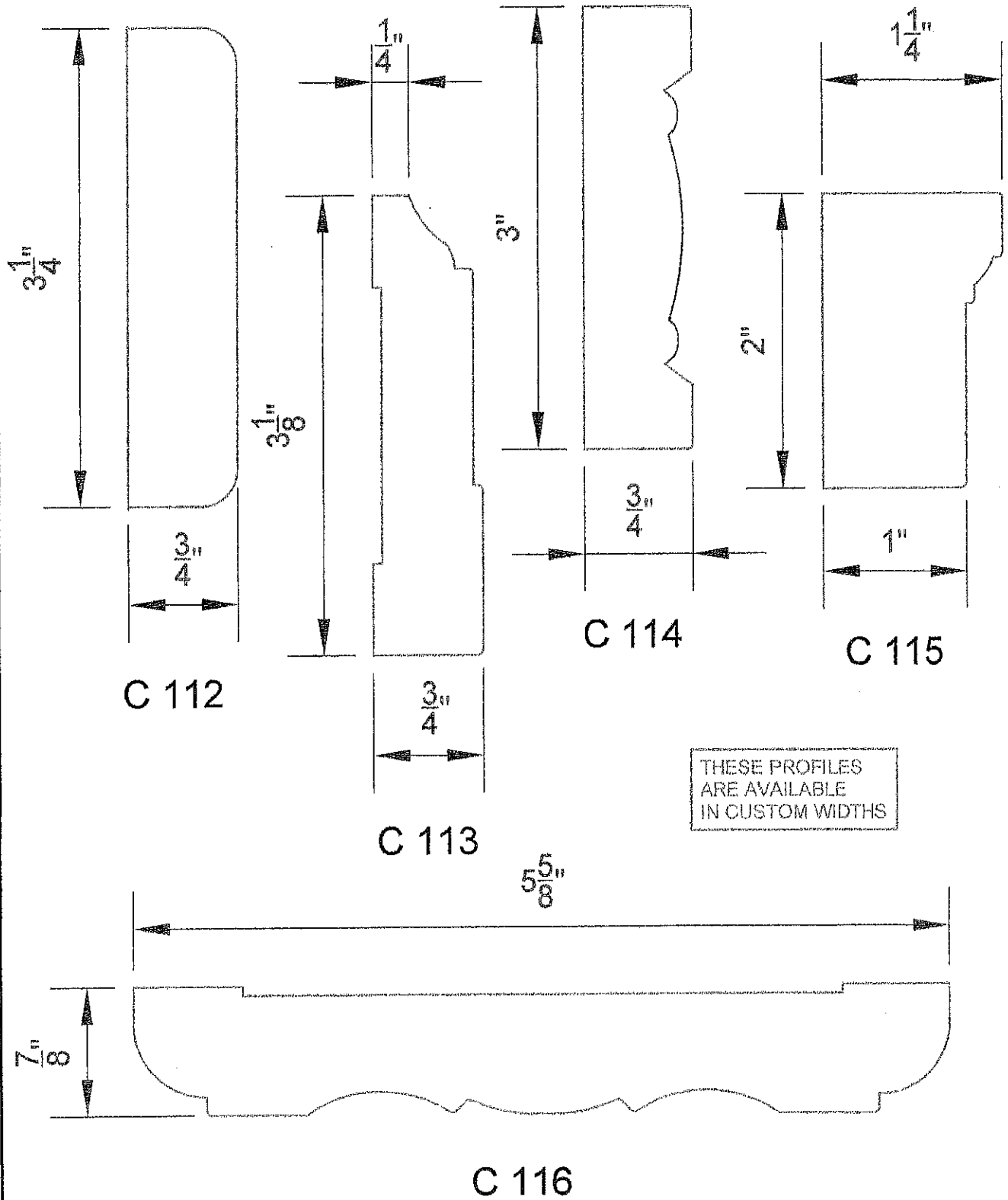


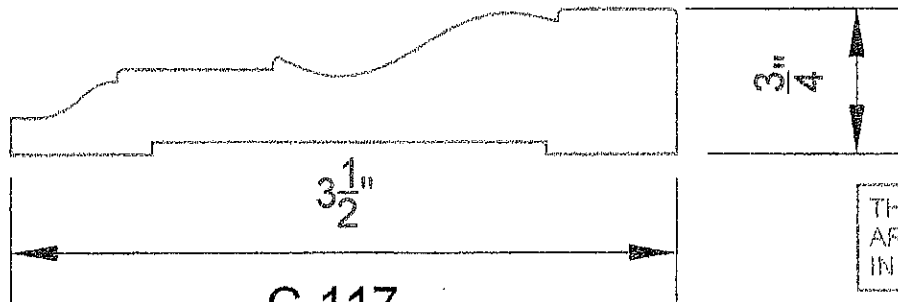
C 110



C 111

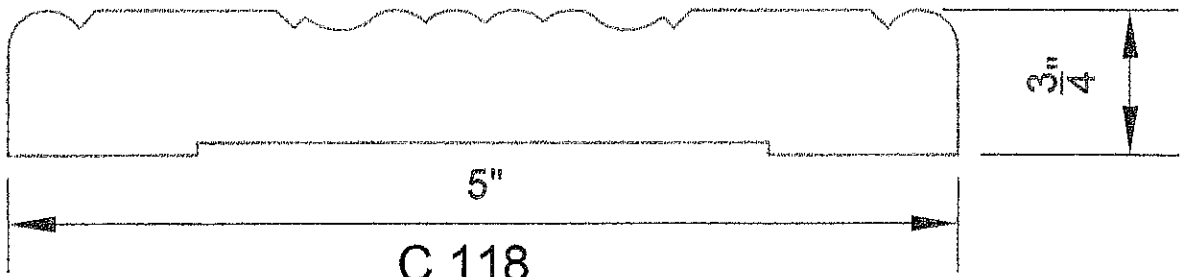
THESE PROFILES
ARE AVAILABLE
IN CUSTOM WIDTHS



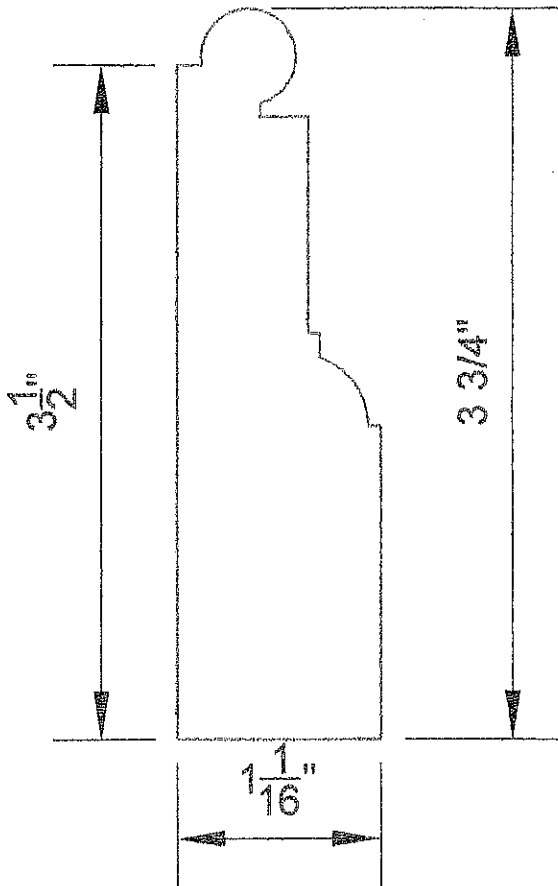


C 117

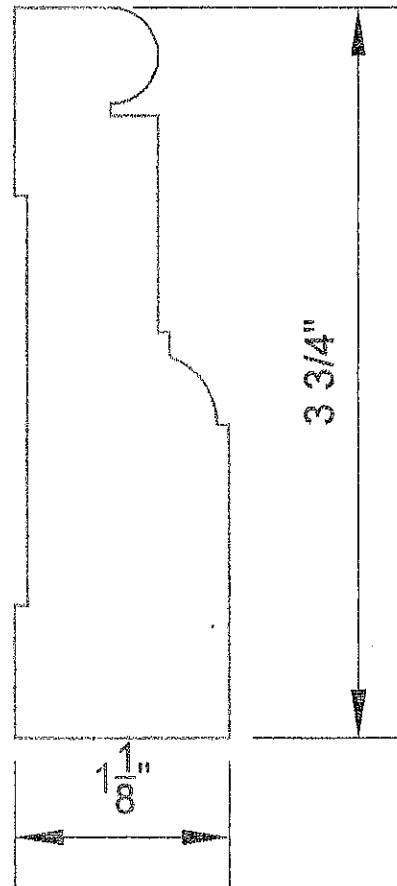
THESE PROFILES
ARE AVAILABLE
IN CUSTOM WIDTHS



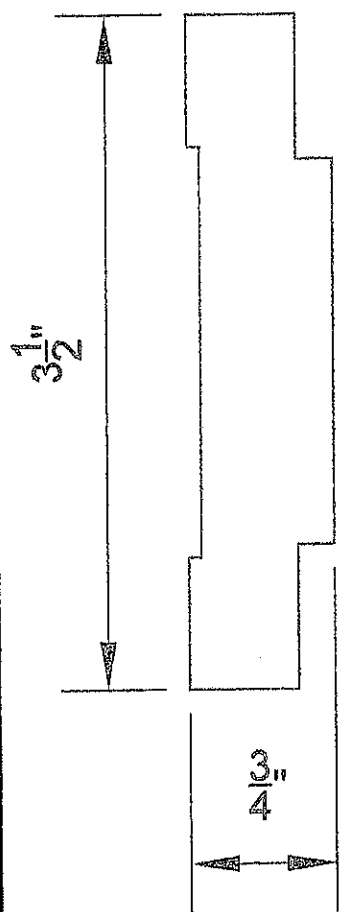
C 118



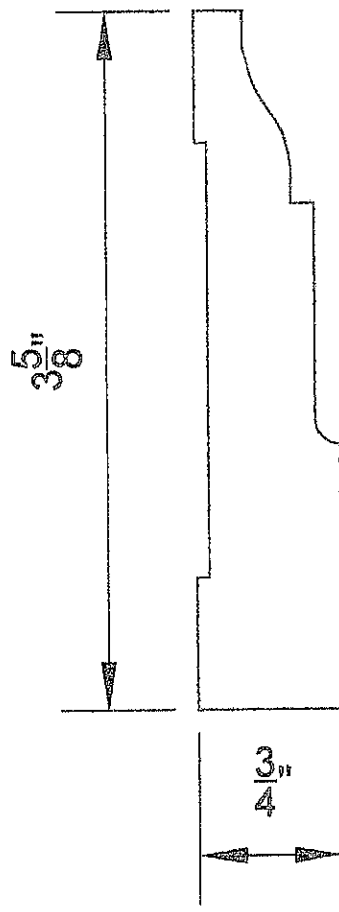
C 119



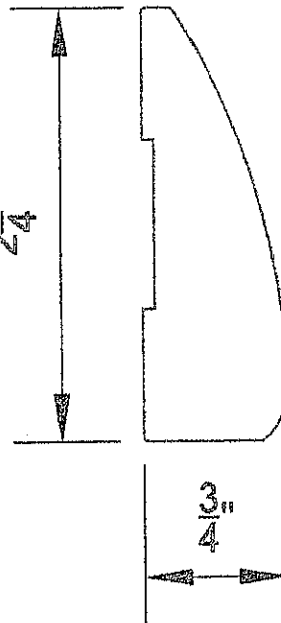
C 120



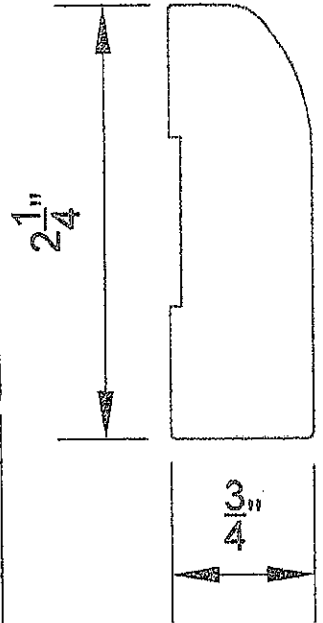
C 121



C 122

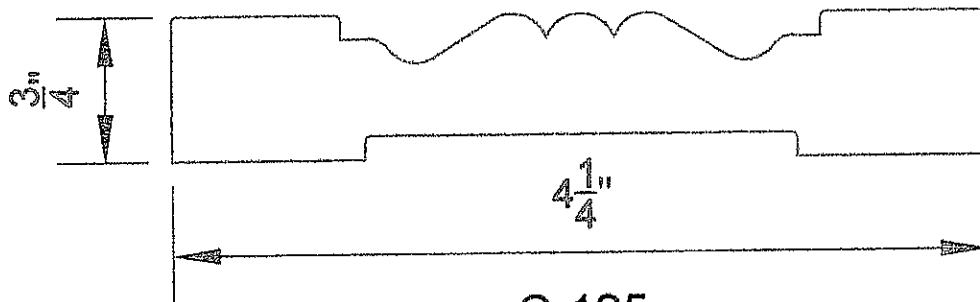


C 123

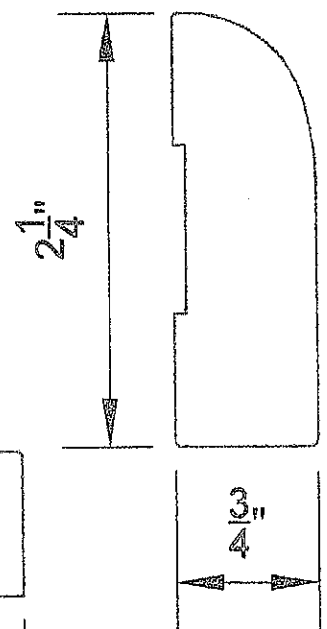


C 124

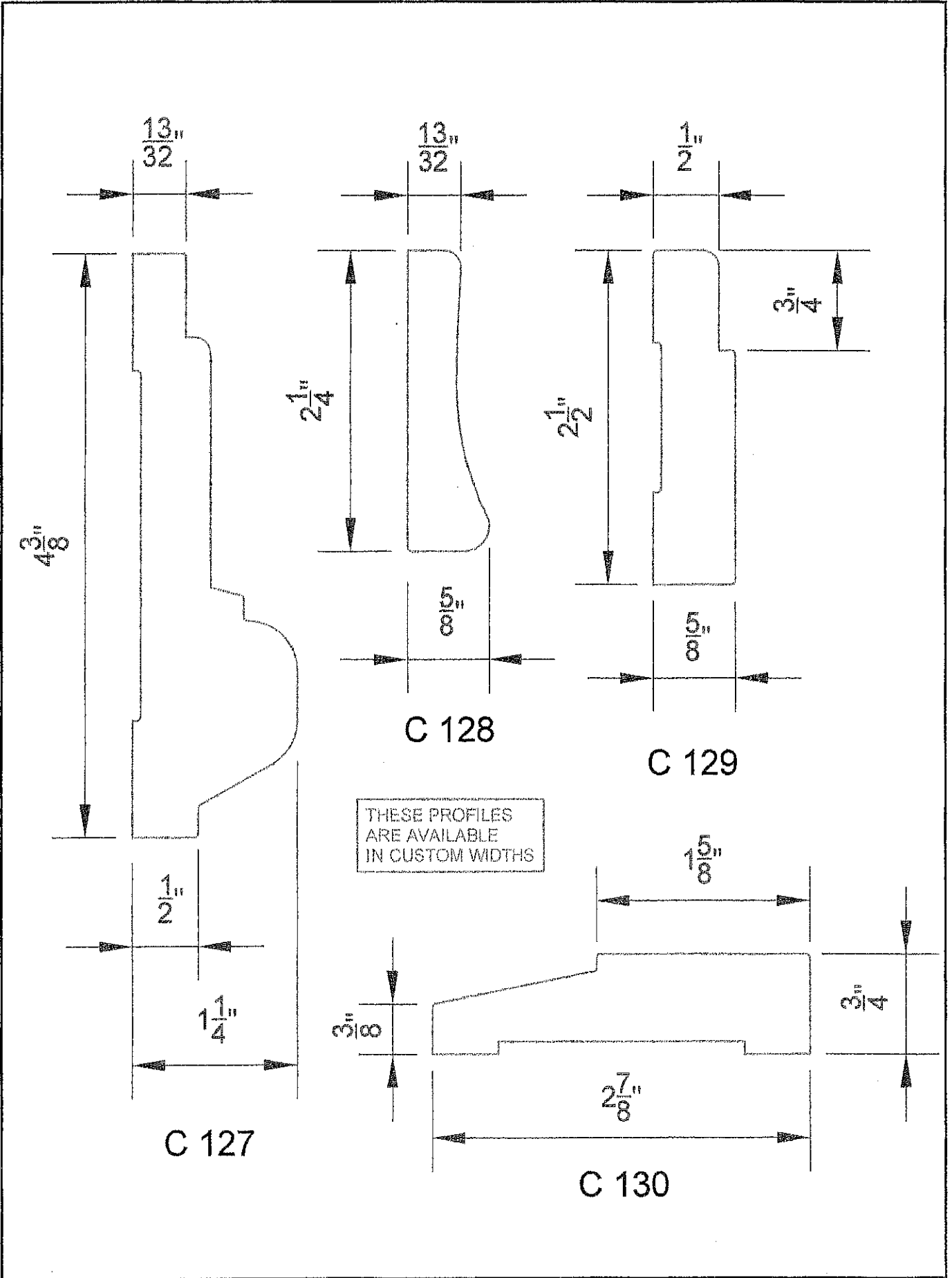
THESE PROFILES
ARE AVAILABLE
IN CUSTOM WIDTHS



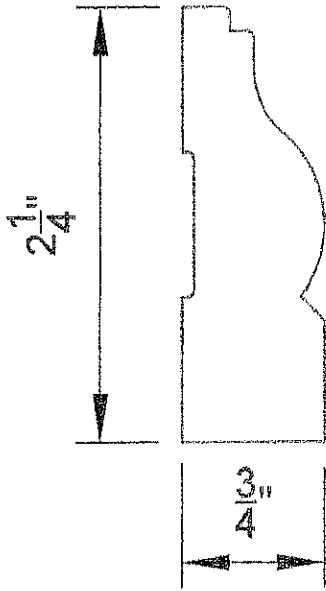
C 125



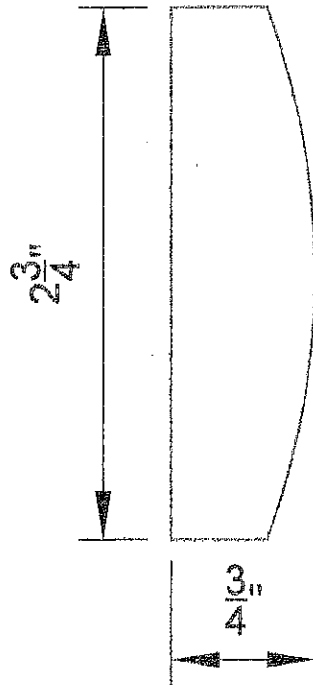
C 126



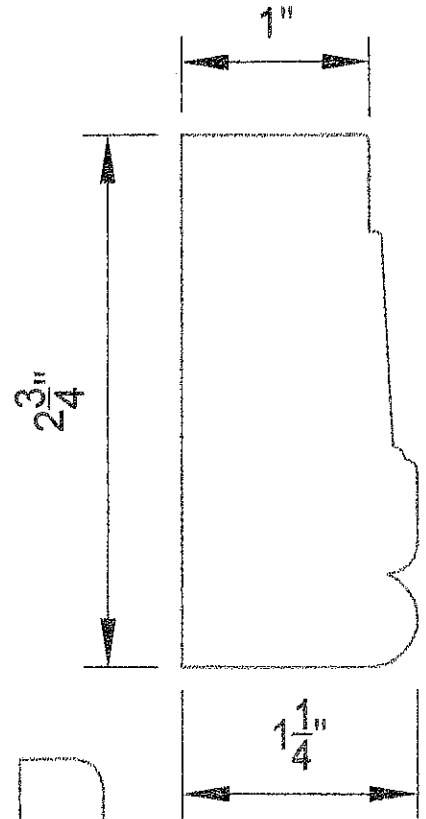
THESE PROFILES
ARE AVAILABLE
IN CUSTOM WIDTHS



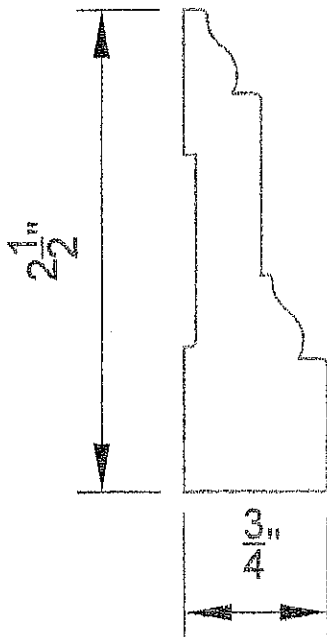
C 131



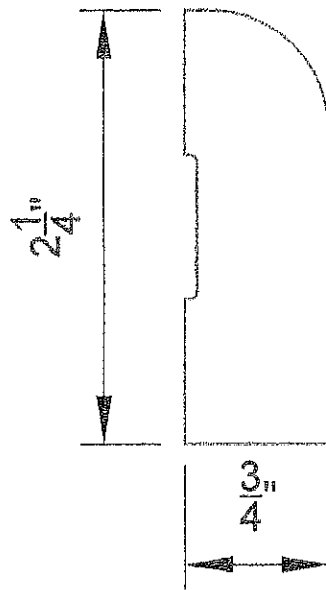
C 132



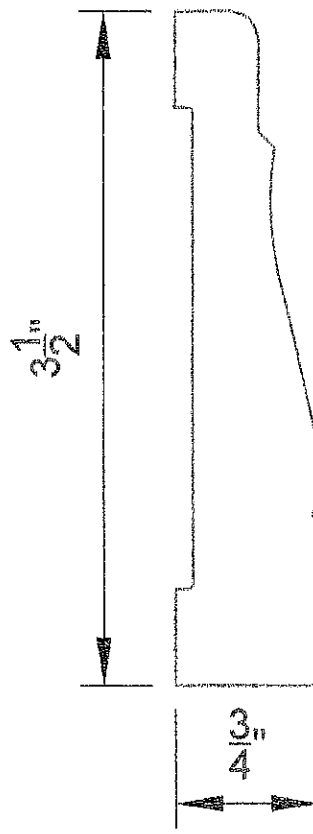
C 133



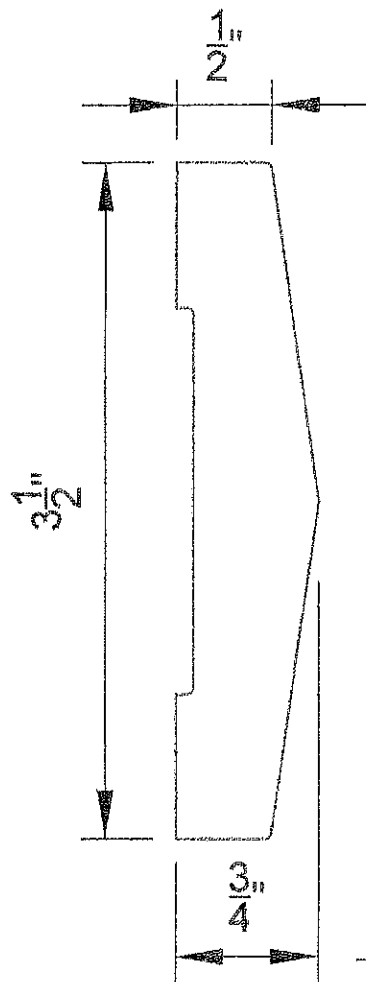
C 134



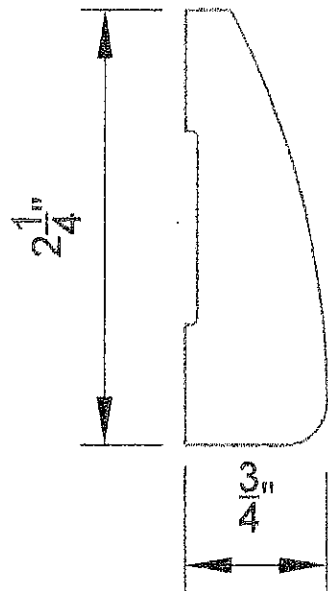
C 135



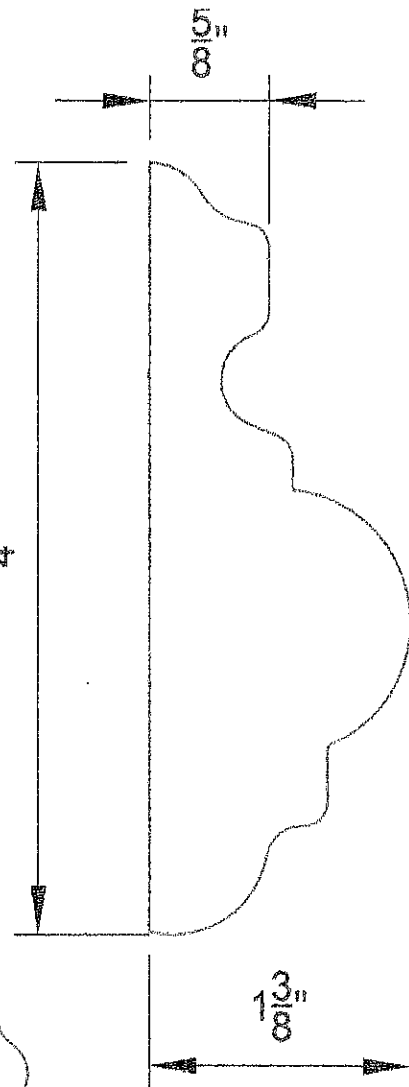
C 136



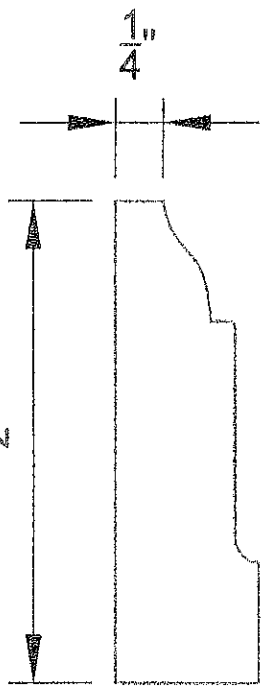
C 137



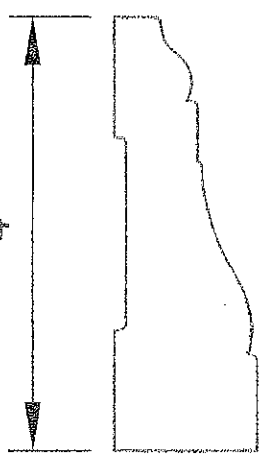
C 138



C 139

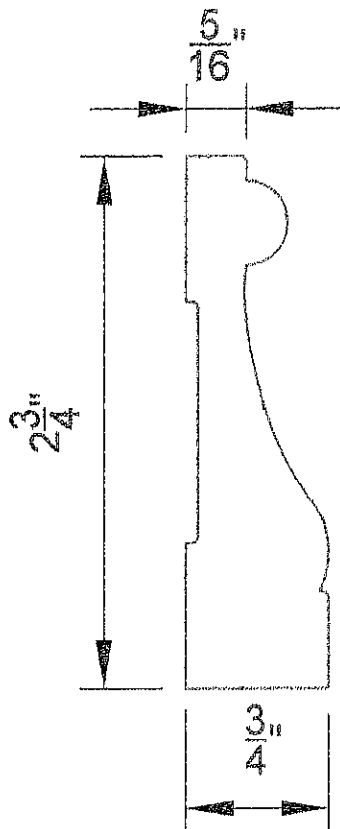


C 140

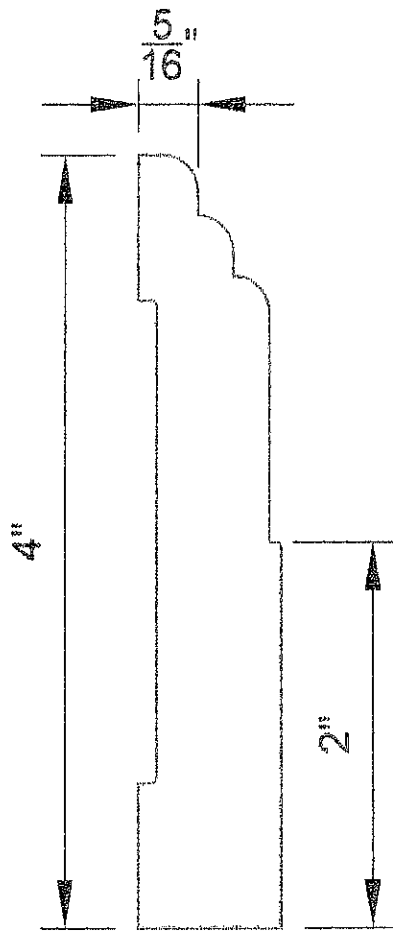


C 141

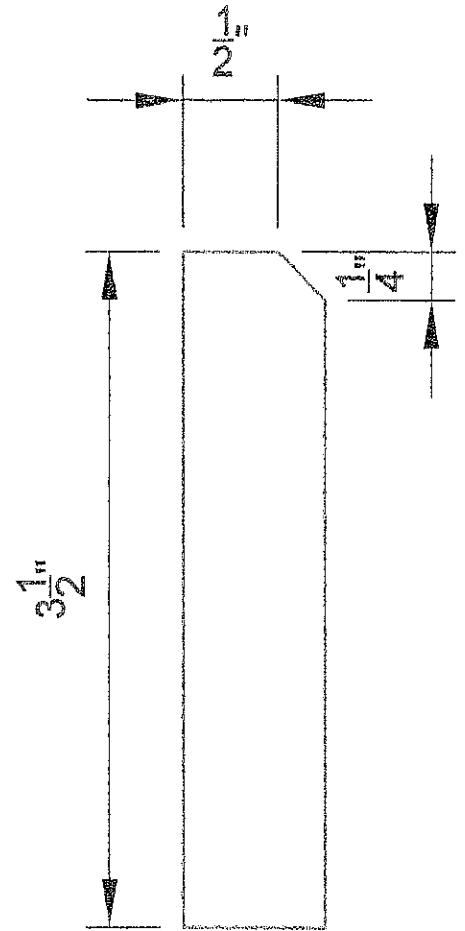
THESE PROFILES
ARE AVAILABLE
IN CUSTOM WIDTHS



C 142

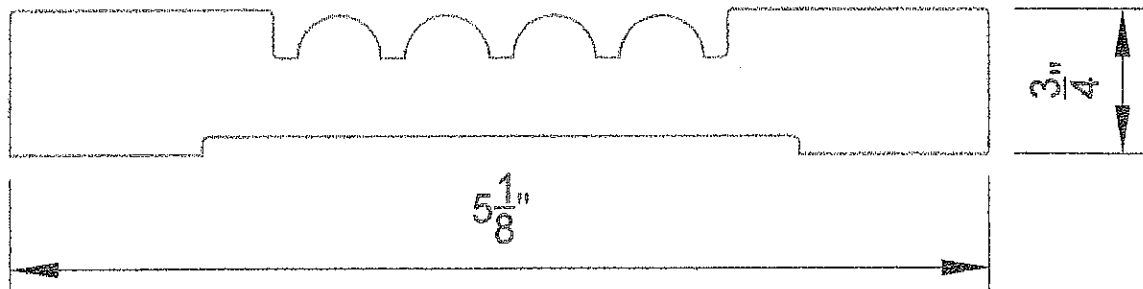
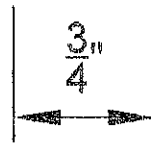
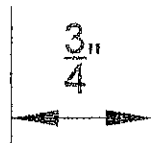


C 143

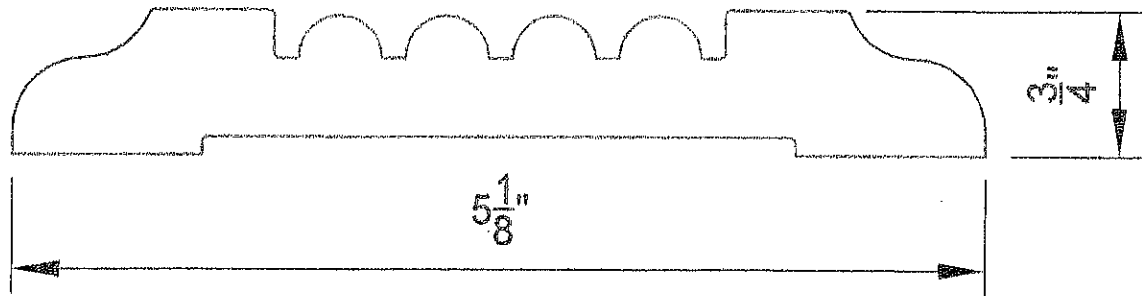


C 144

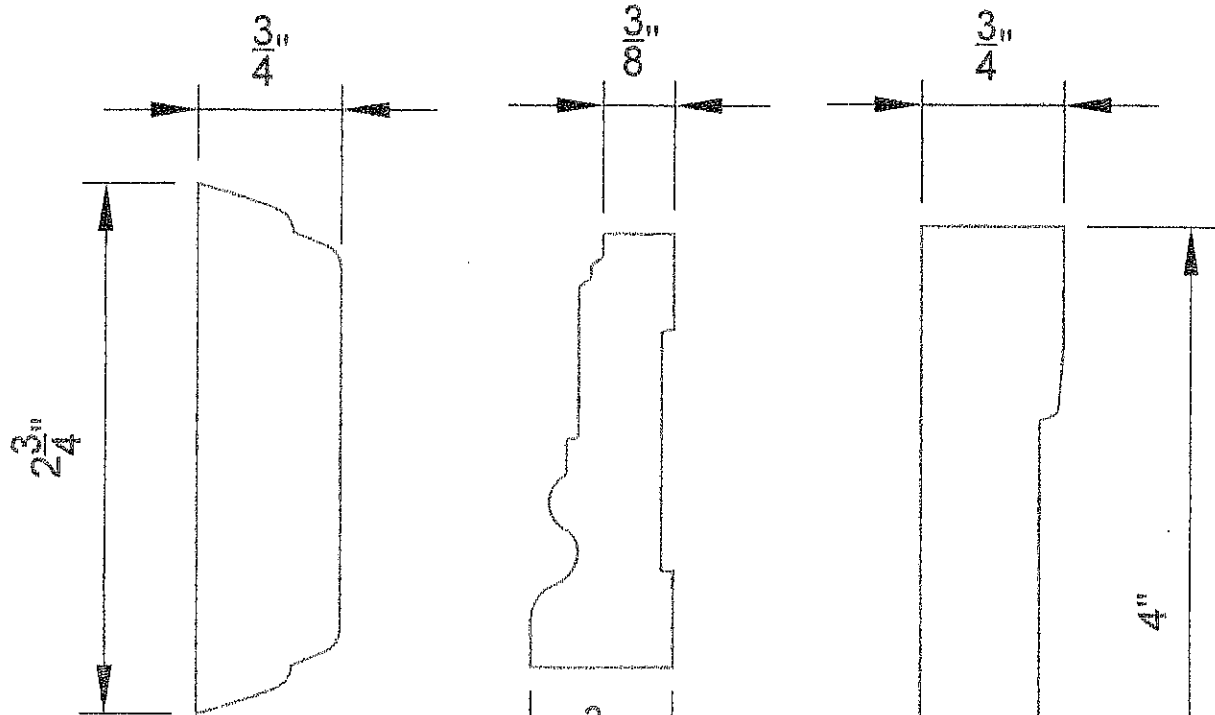
THESE PROFILES
ARE AVAILABLE
IN CUSTOM WIDTHS



C 145



C 146

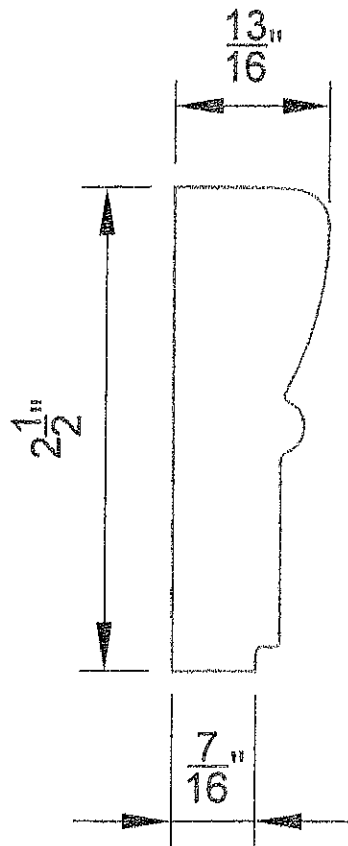


C 147

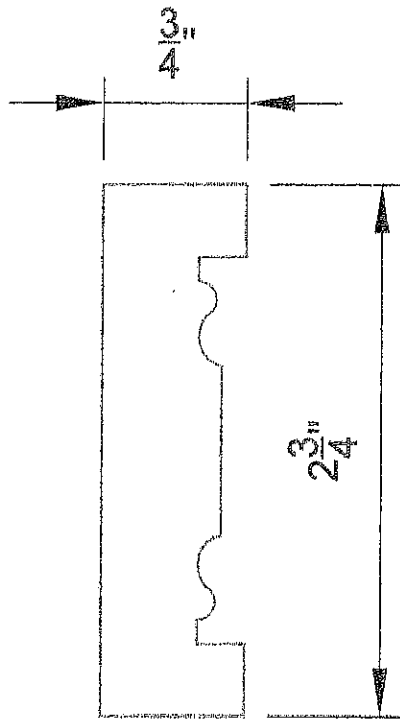
C 148

C 149

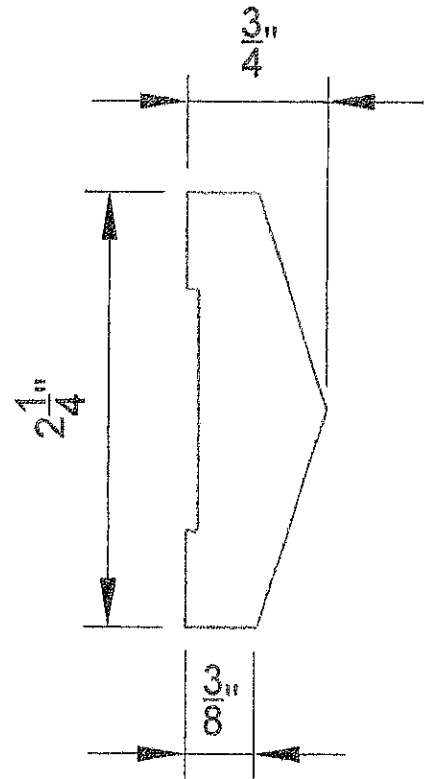
THESE PROFILES
ARE AVAILABLE
IN CUSTOM WIDTHS



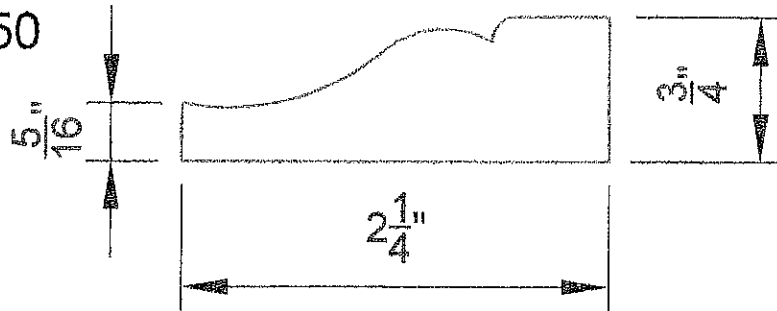
C 150



C 151

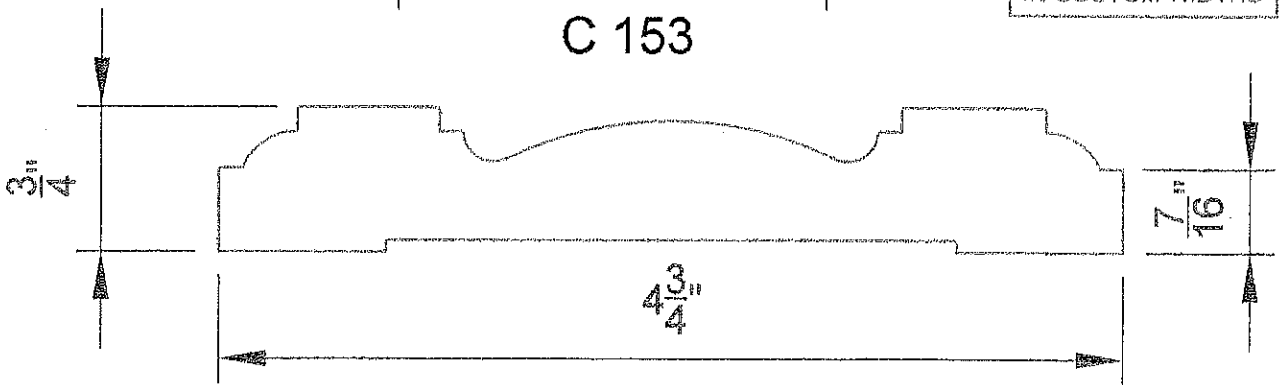


C 152

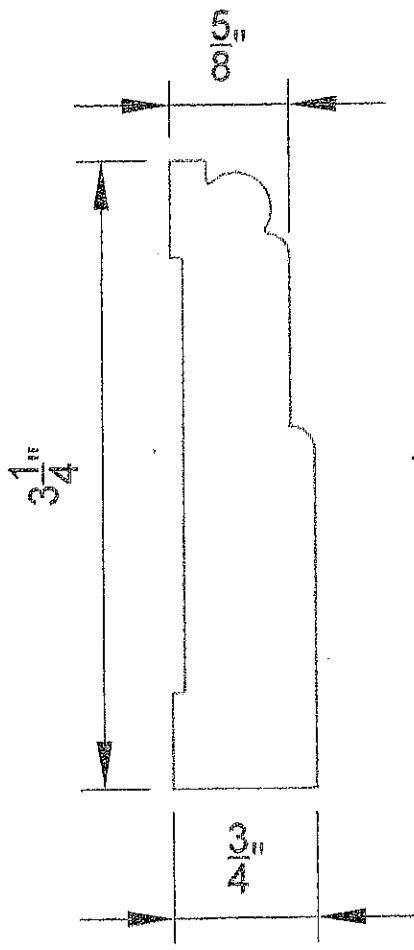


C 153

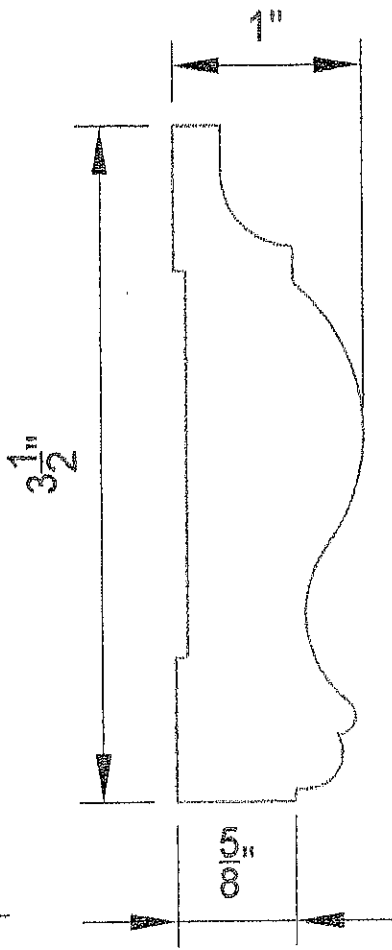
THESE PROFILES ARE AVAILABLE IN CUSTOM WIDTHS



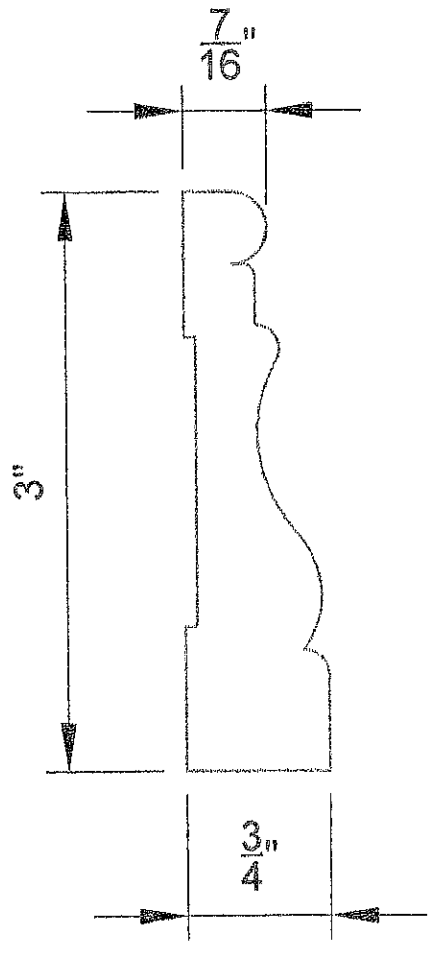
C 154



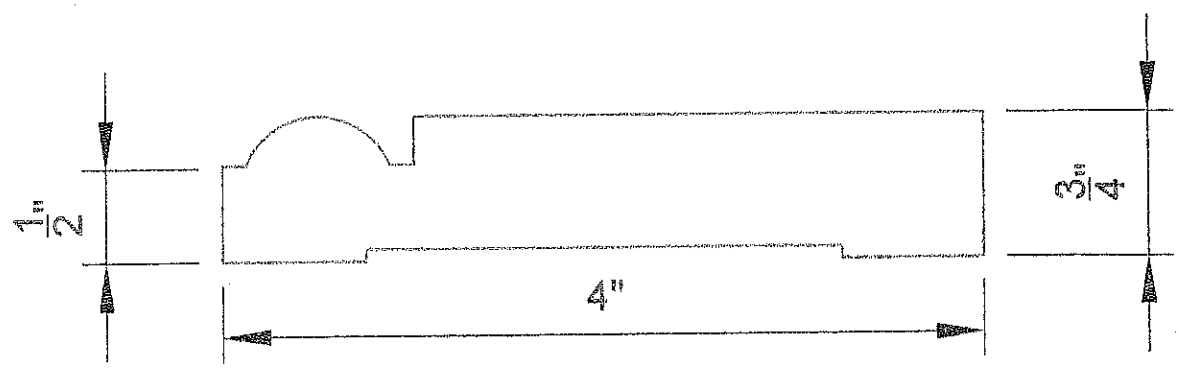
C 155



C 156

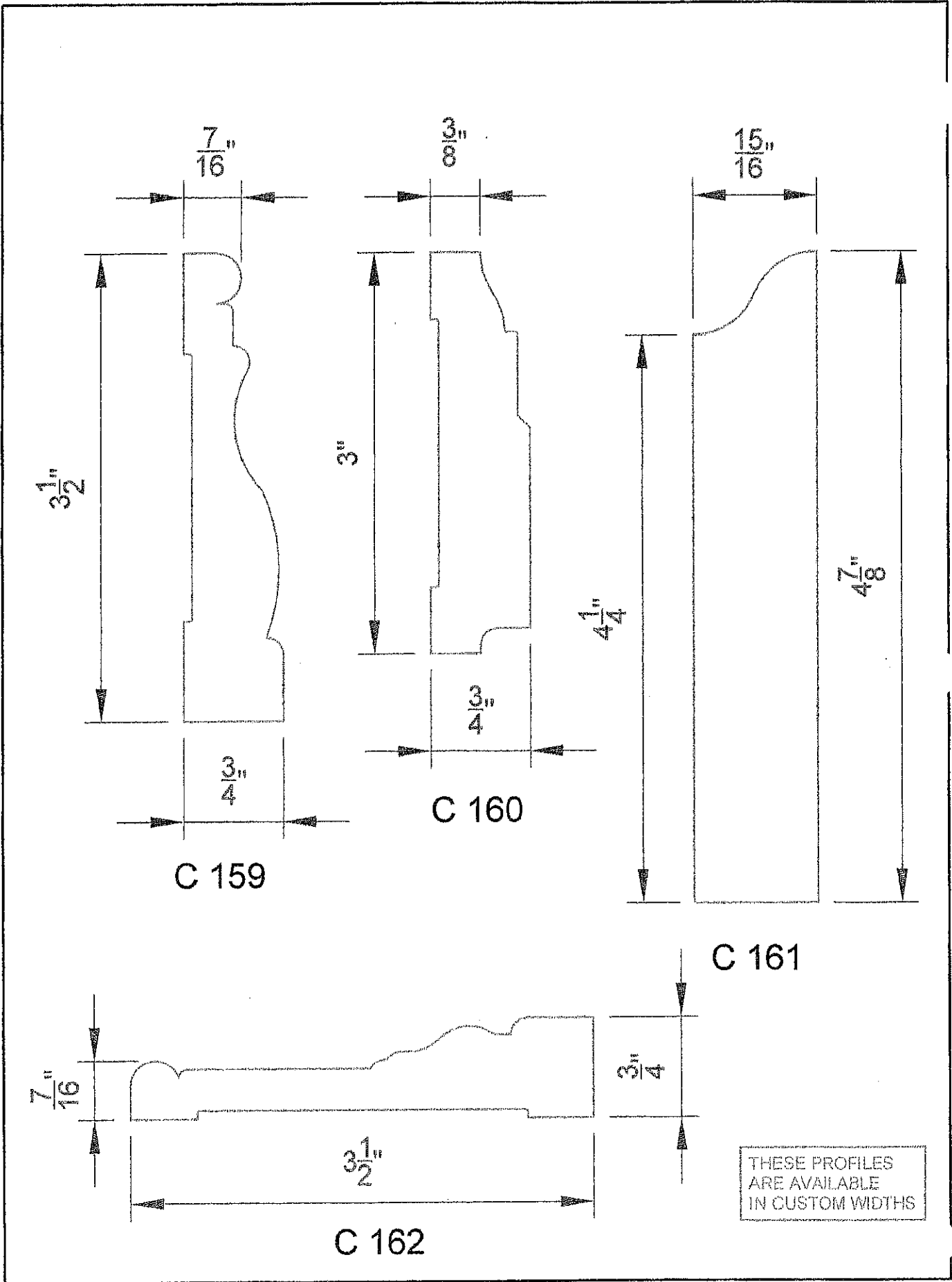


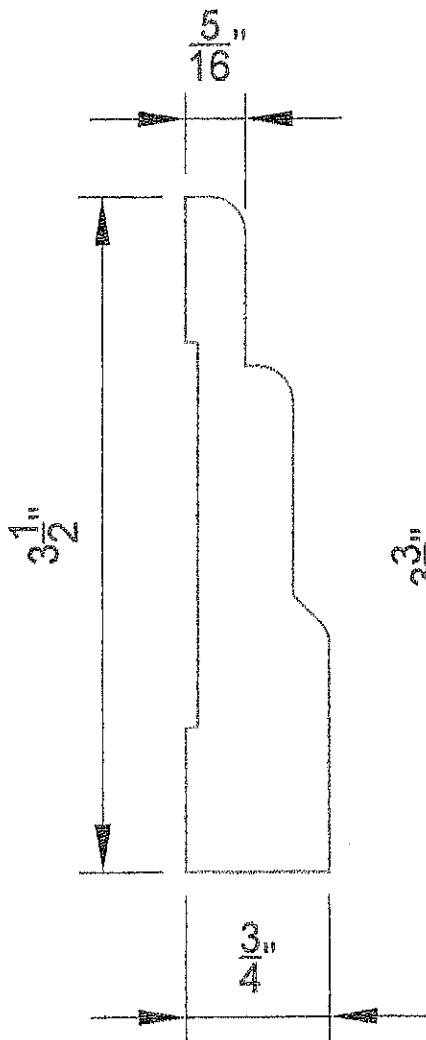
C 157



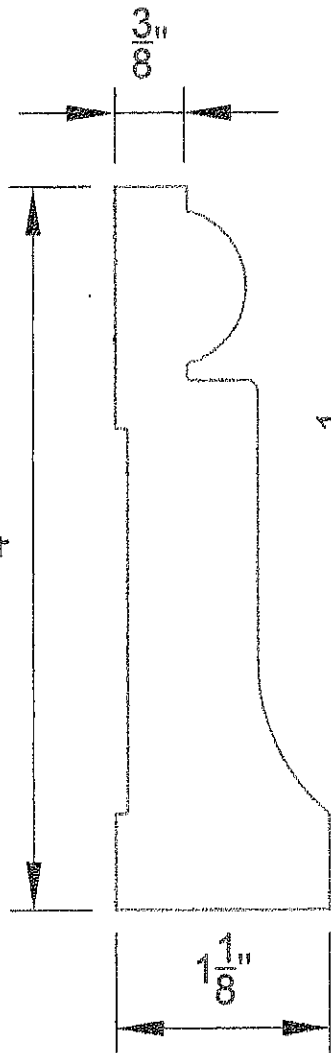
C 158

THESE PROFILES
ARE AVAILABLE
IN CUSTOM WIDTHS

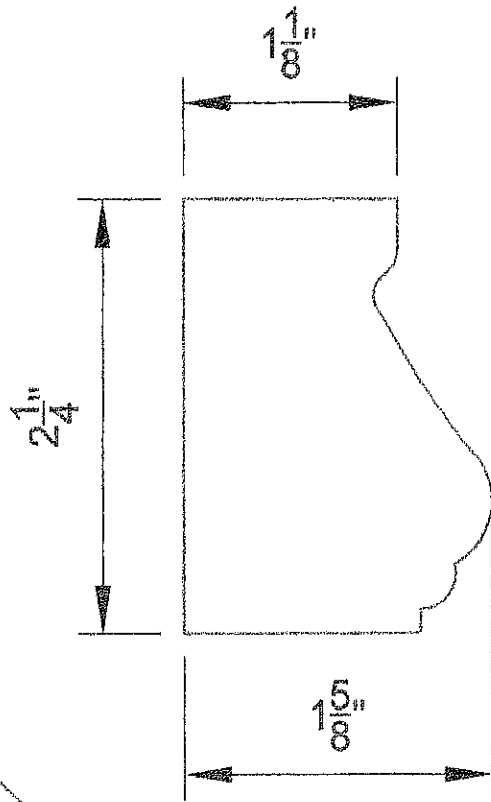




C 163

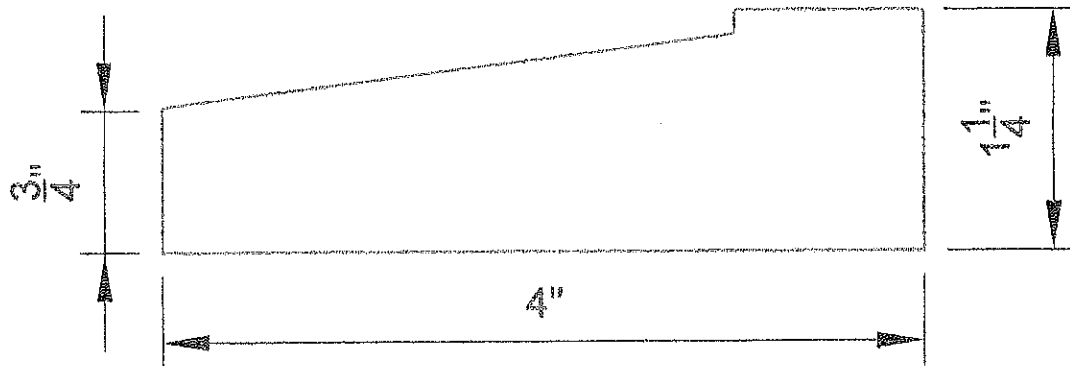


C 164

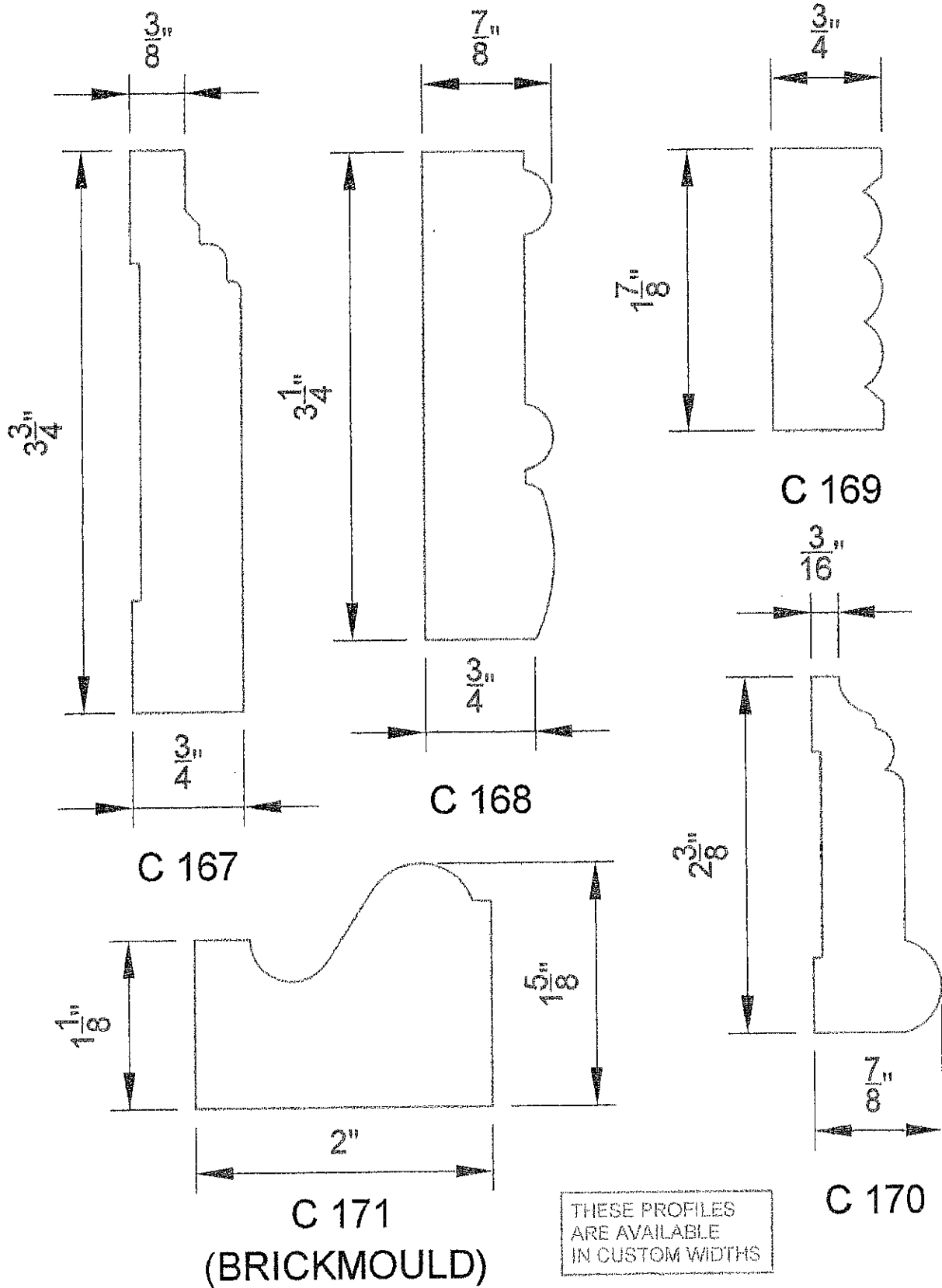


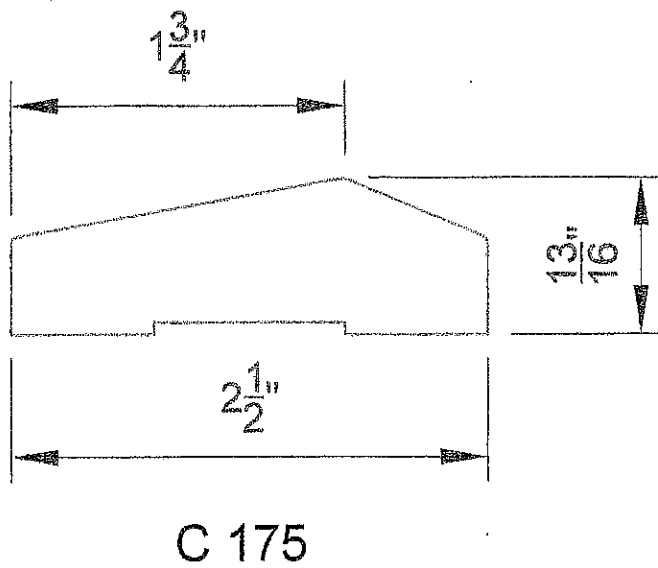
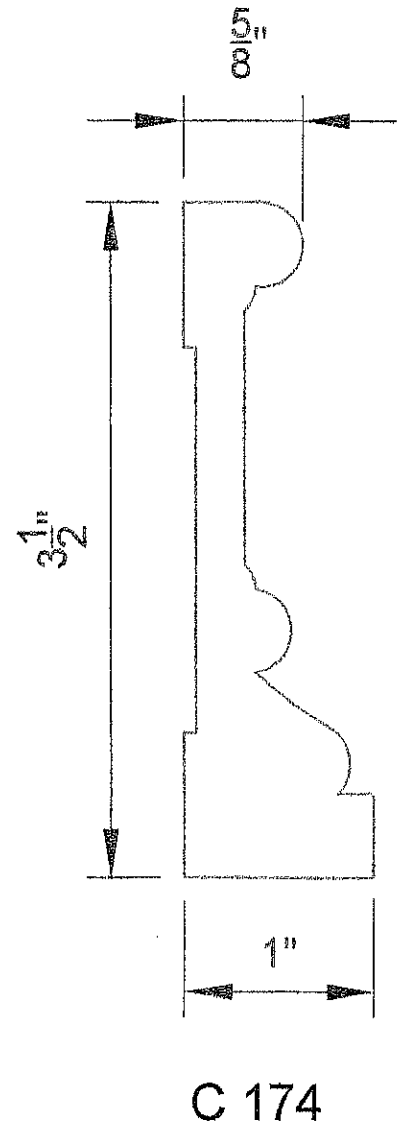
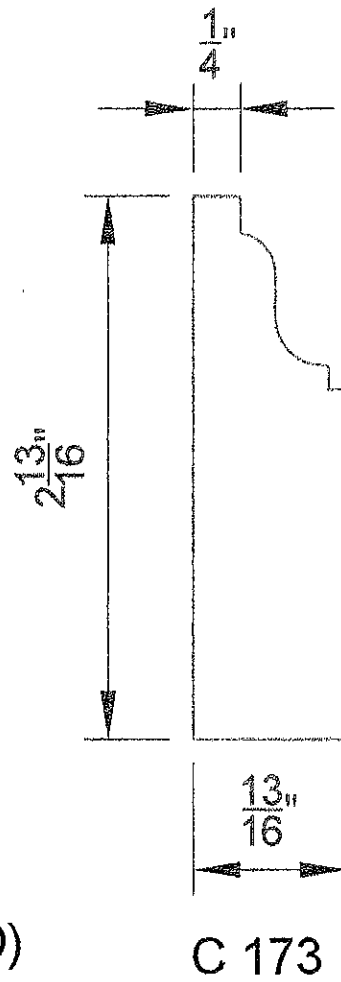
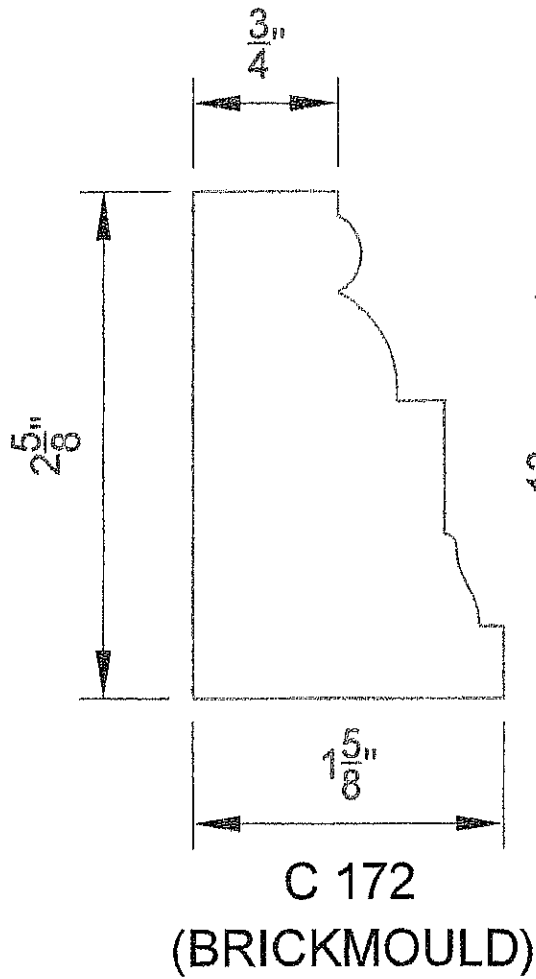
(BRICKMOULD)
C 165

THESE PROFILES
ARE AVAILABLE
IN CUSTOM WIDTHS

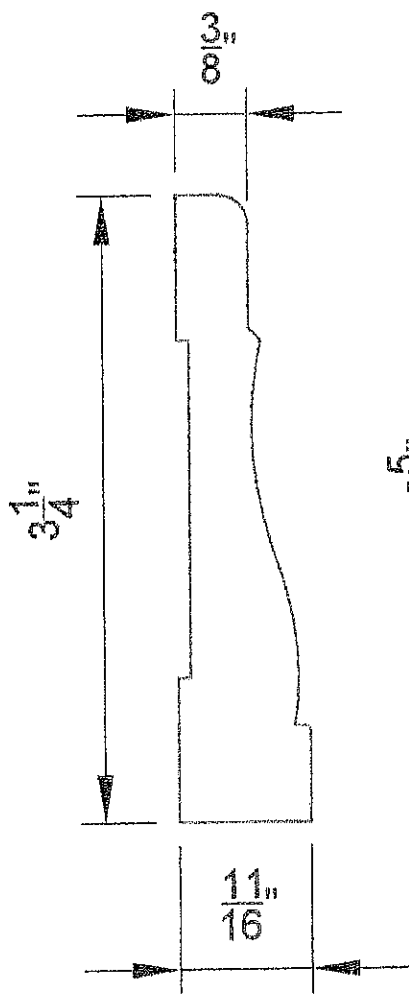


C 166

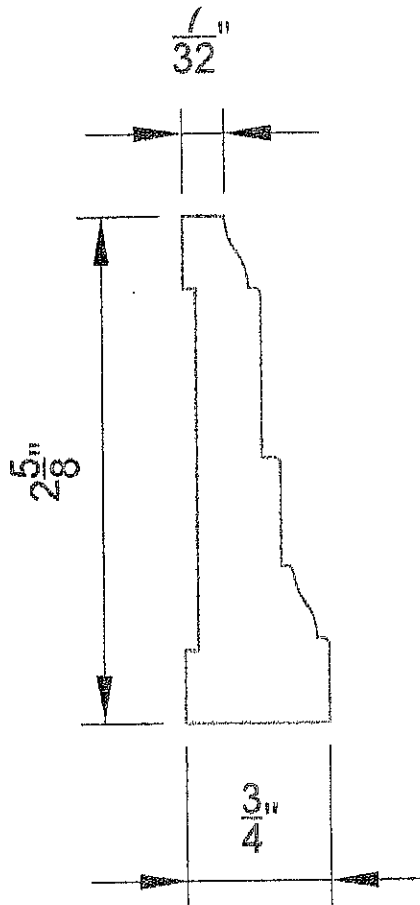




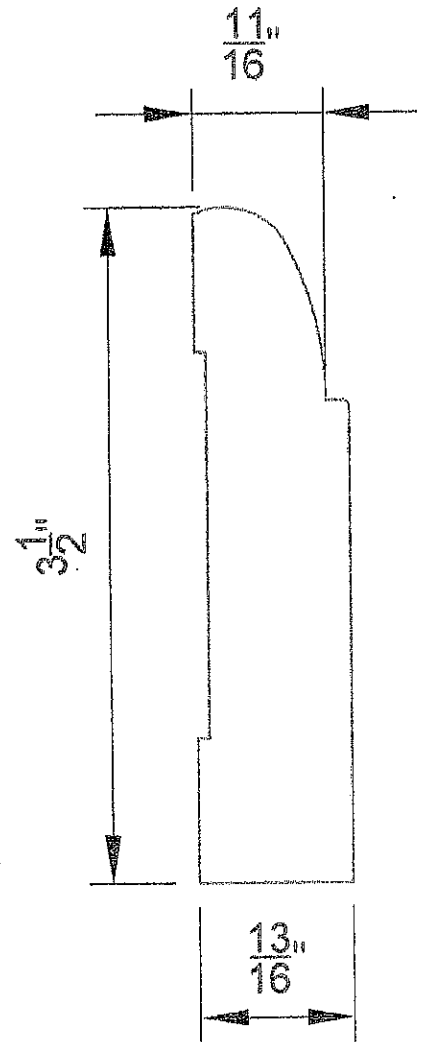
THESE PROFILES
 ARE AVAILABLE
 IN CUSTOM WIDTHS



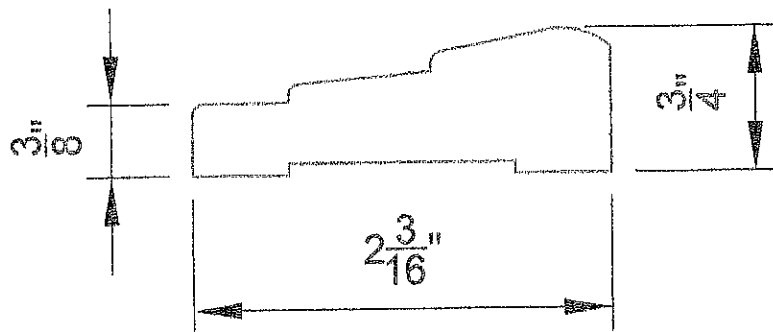
C 176



C 177

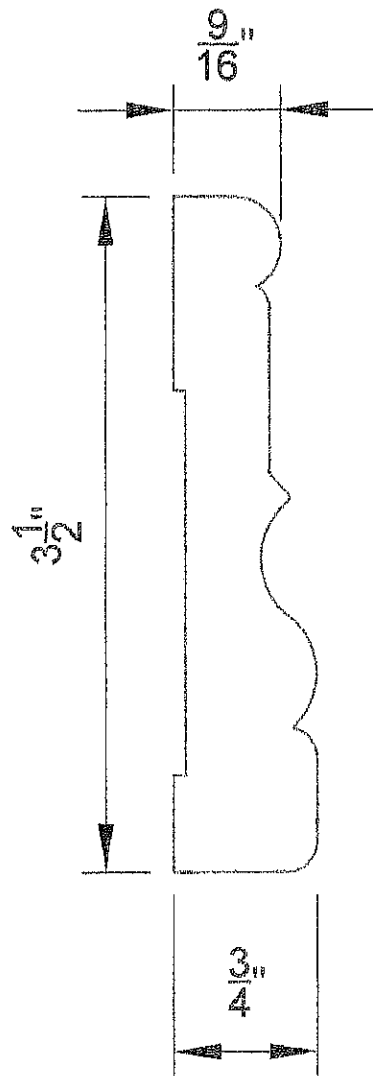


C 178

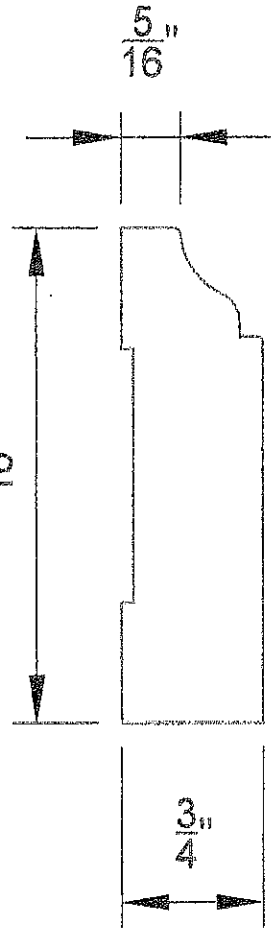


C 179

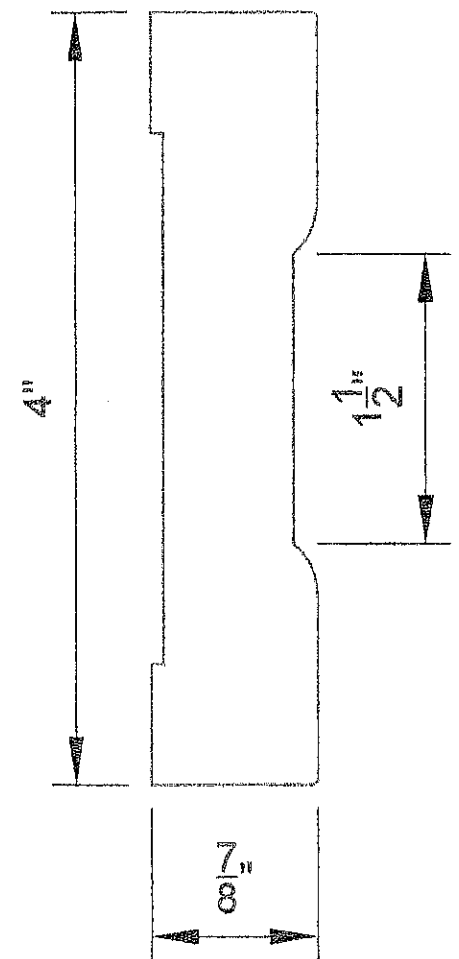
THESE PROFILES
ARE AVAILABLE
IN CUSTOM WIDTHS



C 180

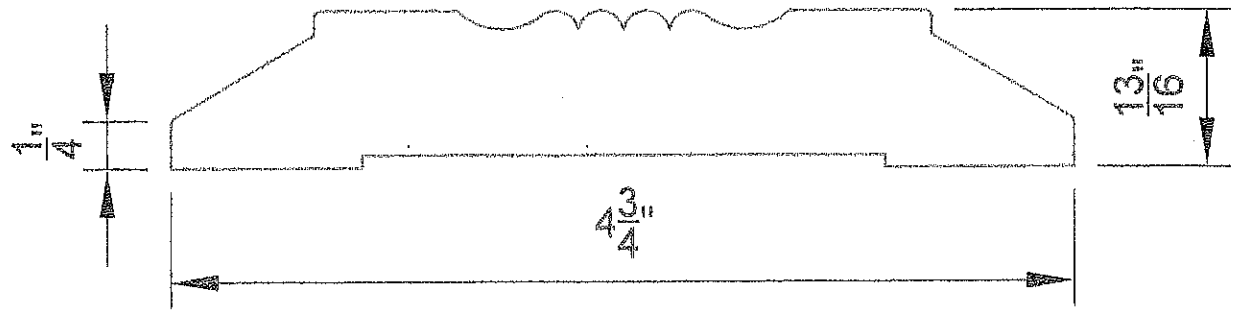


C 181

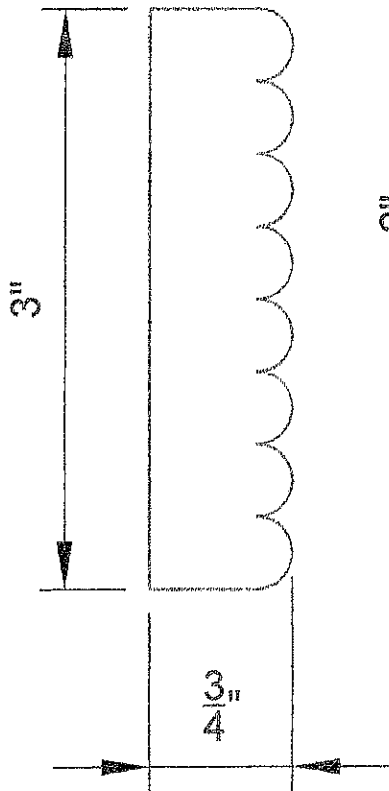


C 182

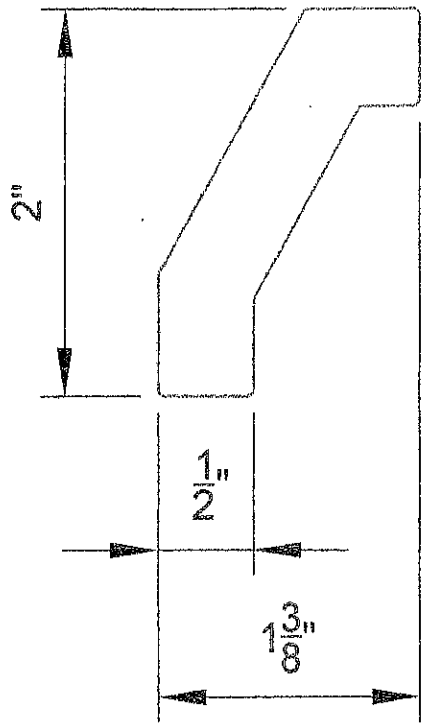
THESE PROFILES
ARE AVAILABLE
IN CUSTOM WIDTHS



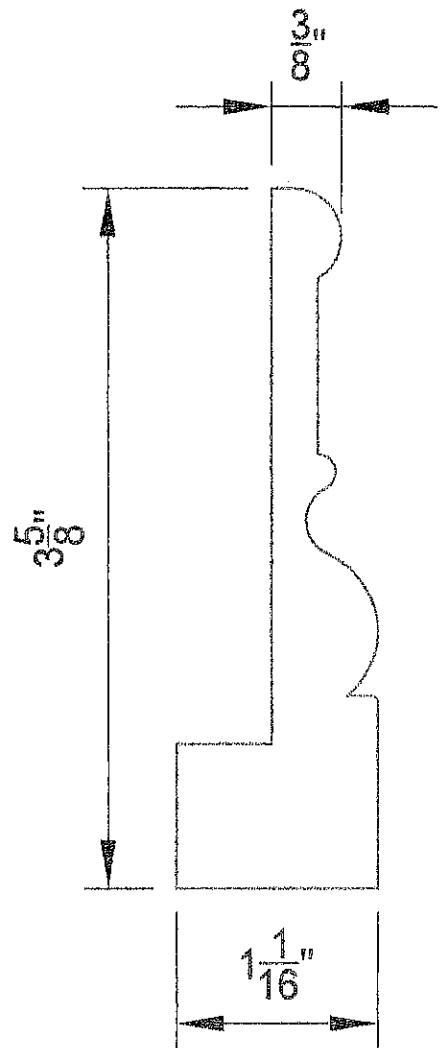
C 183



C 184

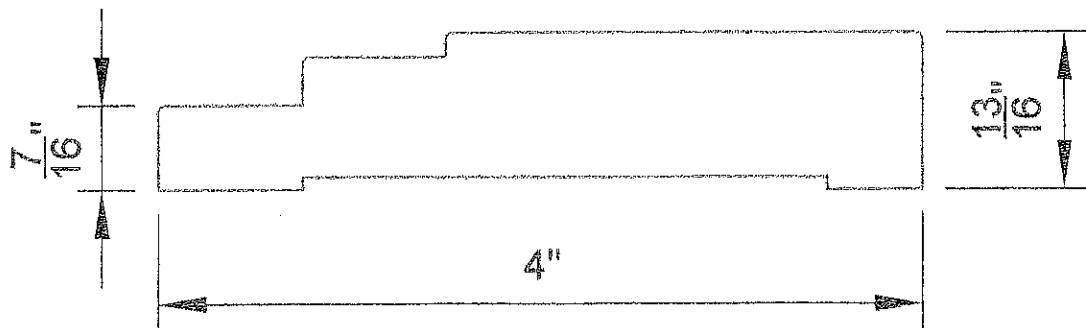


(BRICKMOULD)
C 185

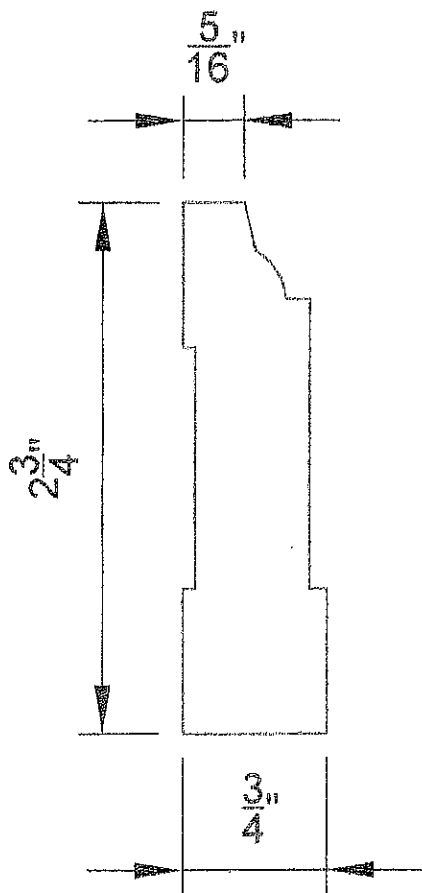


C 186

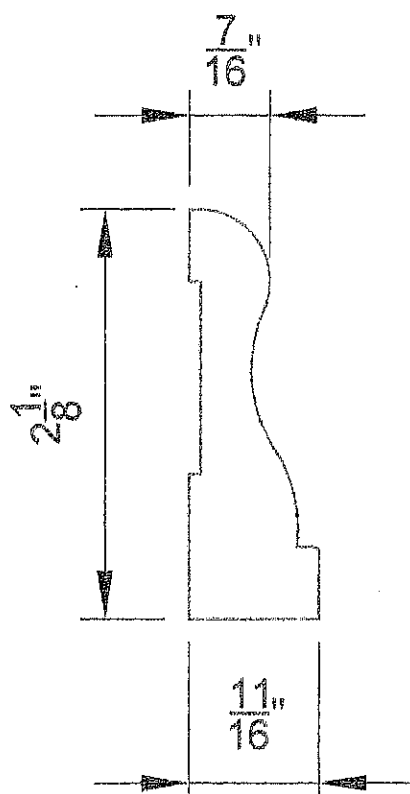
THESE PROFILES
ARE AVAILABLE
IN CUSTOM WIDTHS



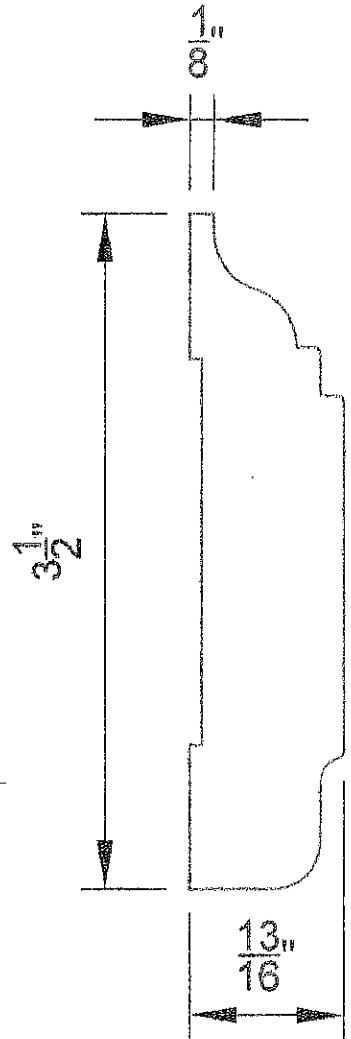
C 187



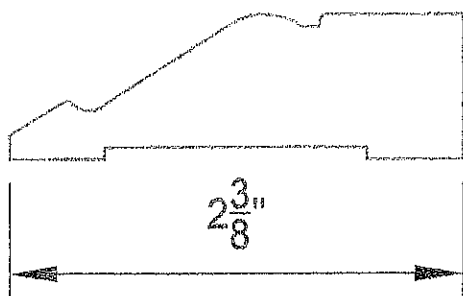
C 188



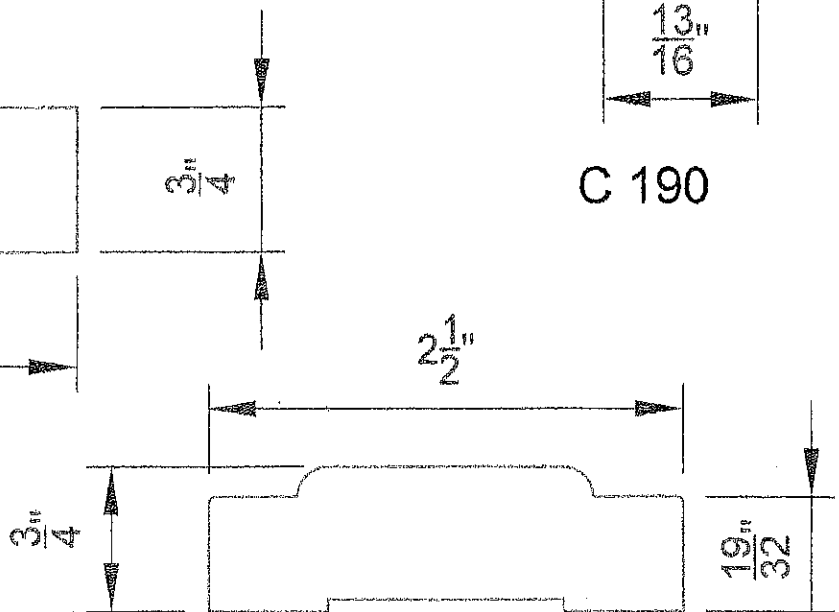
C 189



C 190

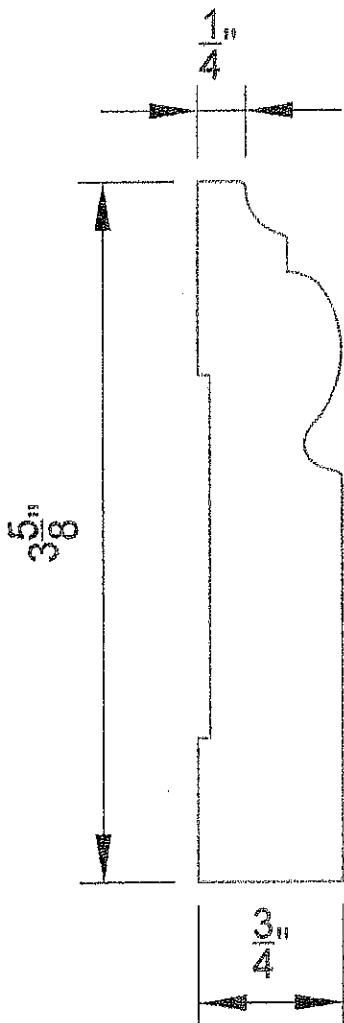


C 191

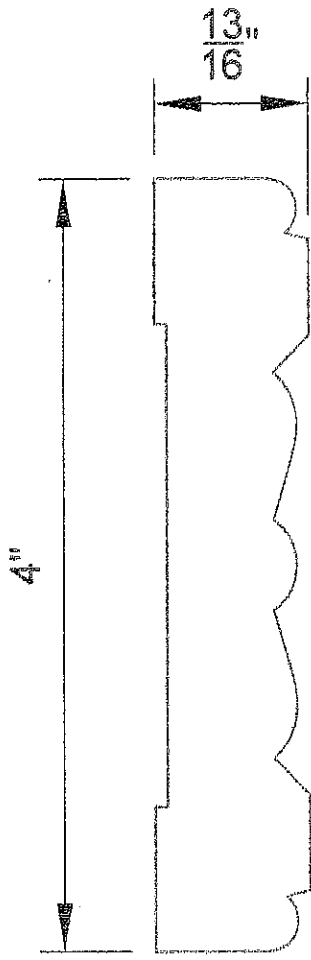


C 192

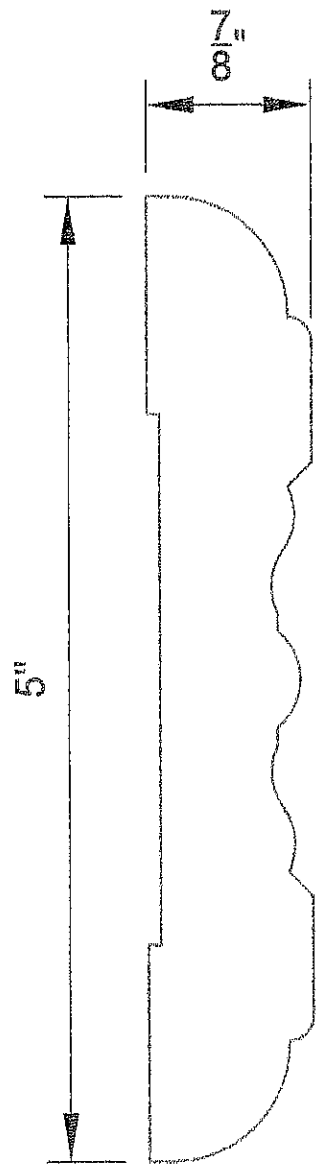
THESE PROFILES
ARE AVAILABLE
IN CUSTOM WIDTHS



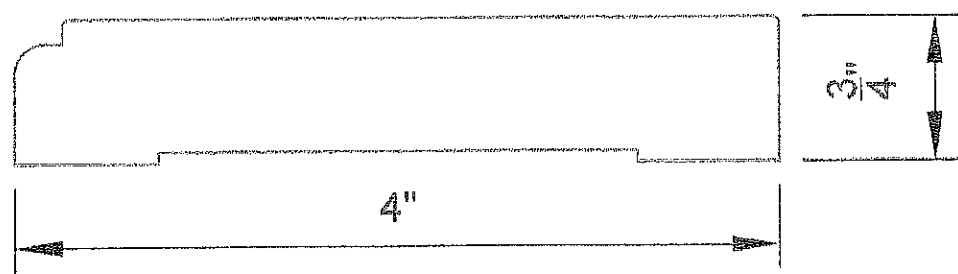
C 193



C 194

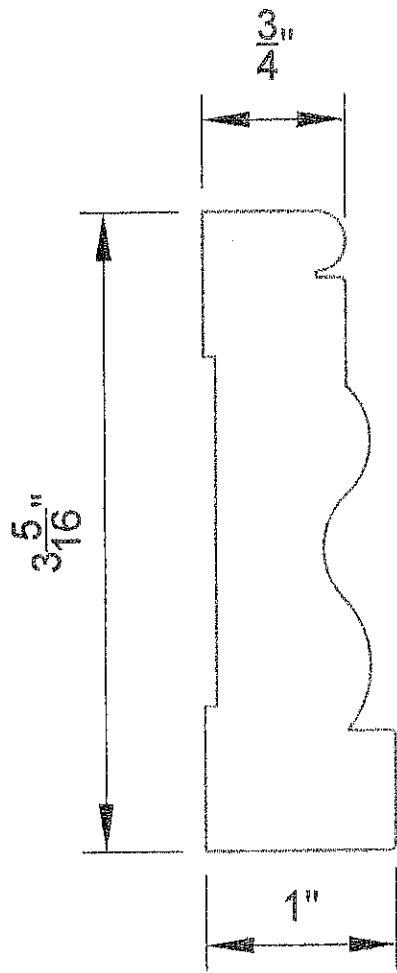


C 195

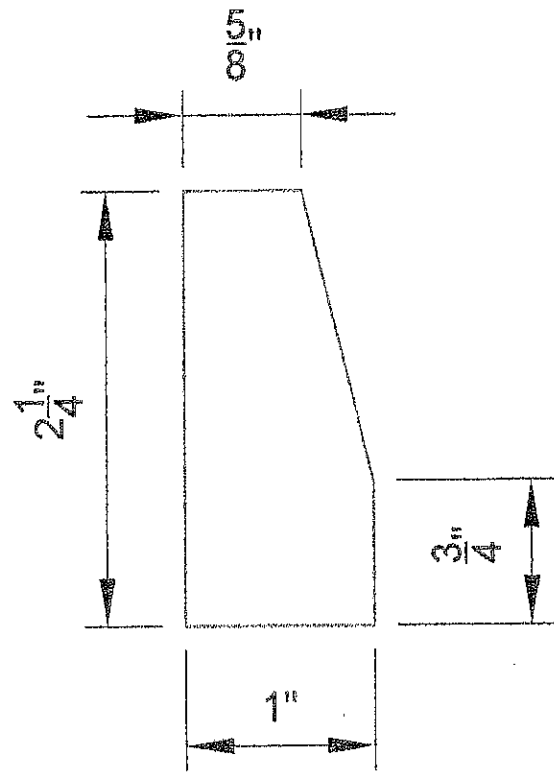


C 196

THESE PROFILES
ARE AVAILABLE
IN CUSTOM WIDTHS

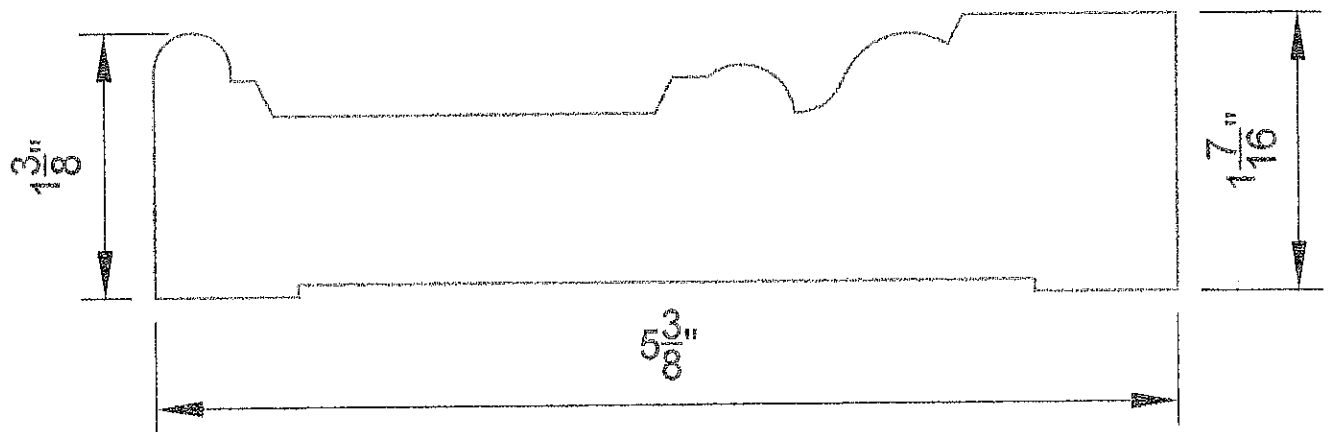


C 197

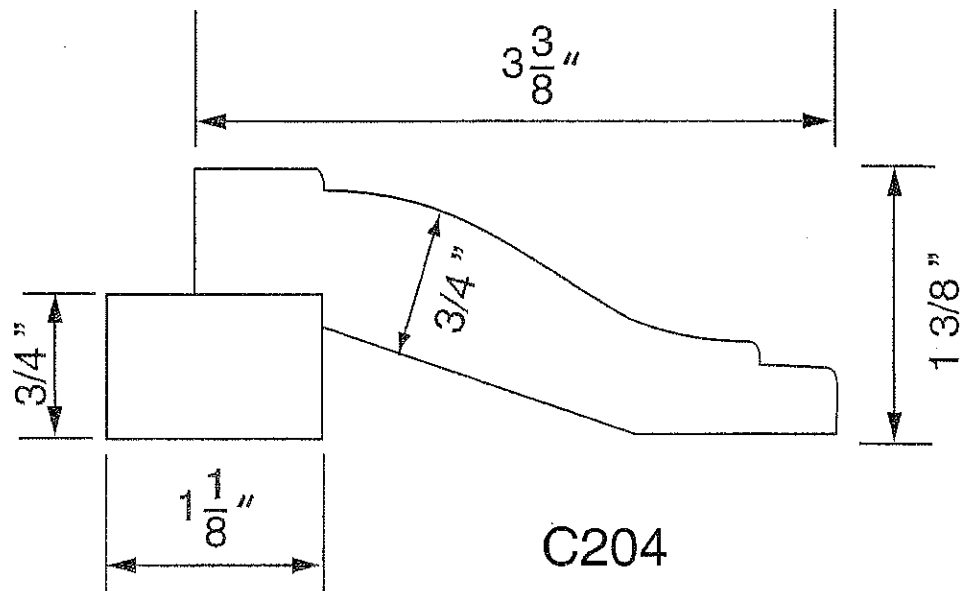
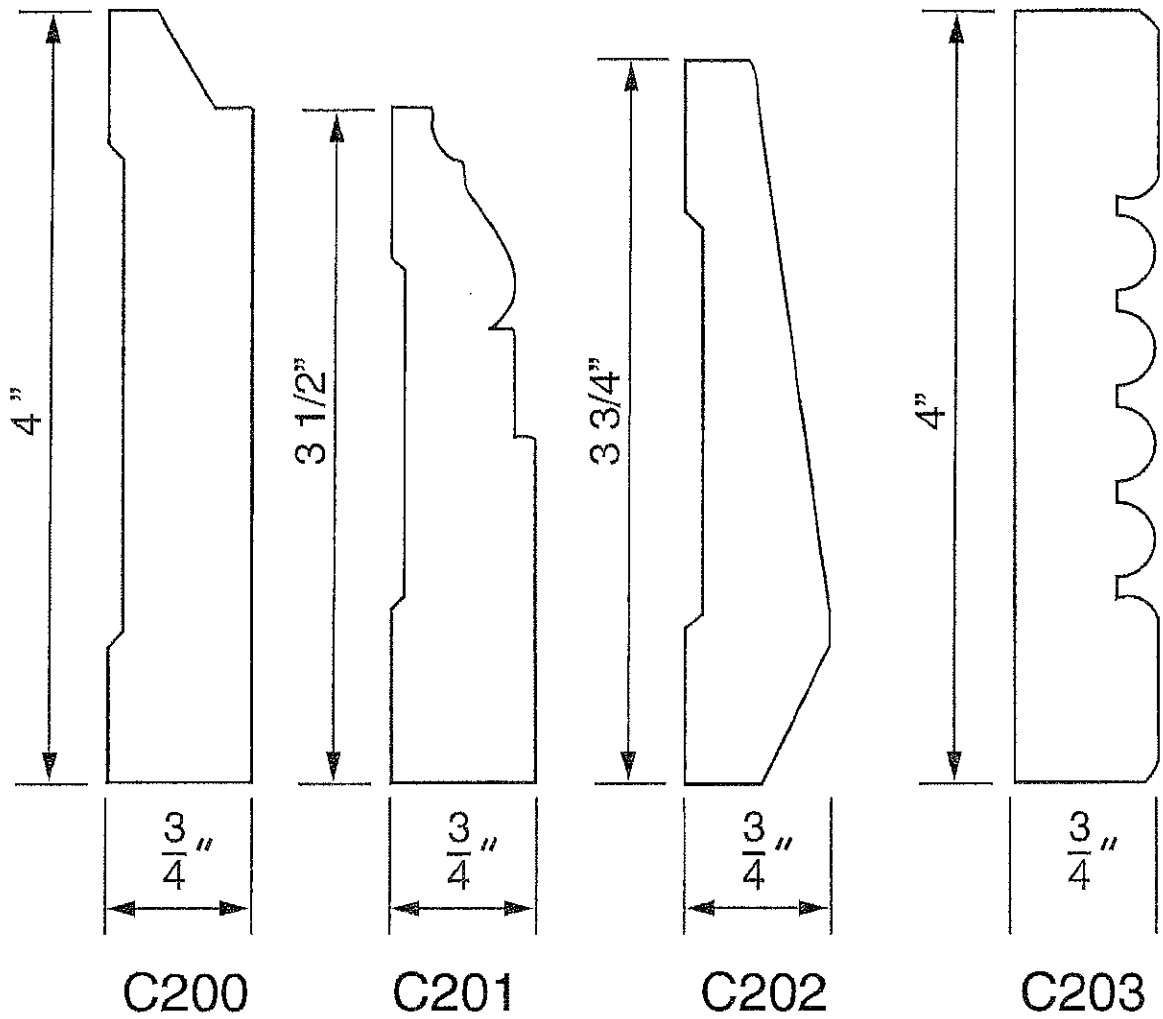


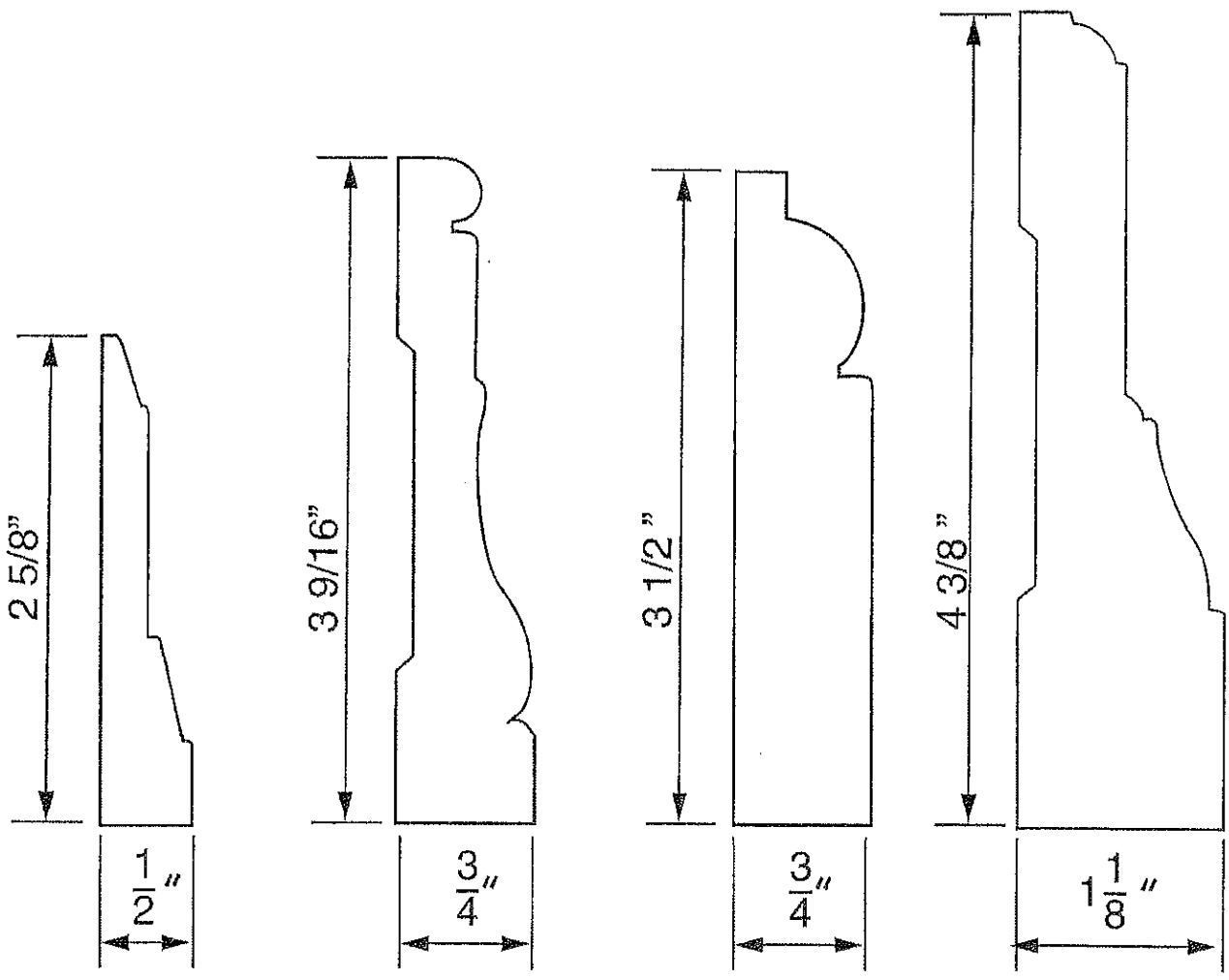
C 198

THESE PROFILES
ARE AVAILABLE
IN CUSTOM WIDTHS



C 199



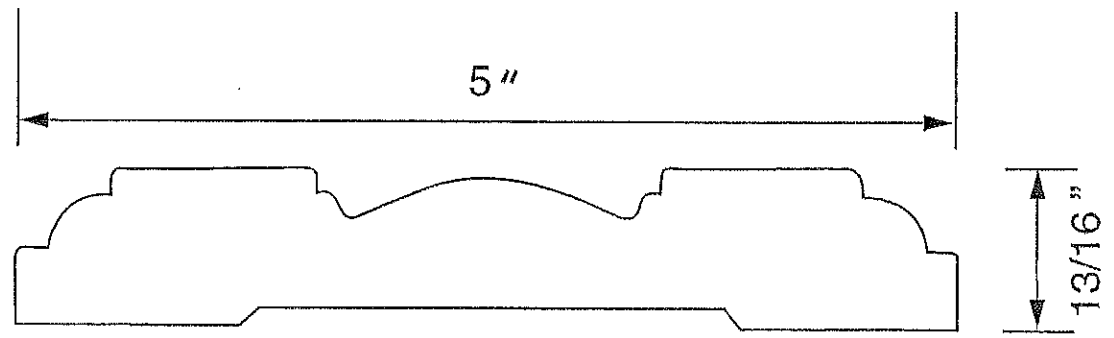


C205

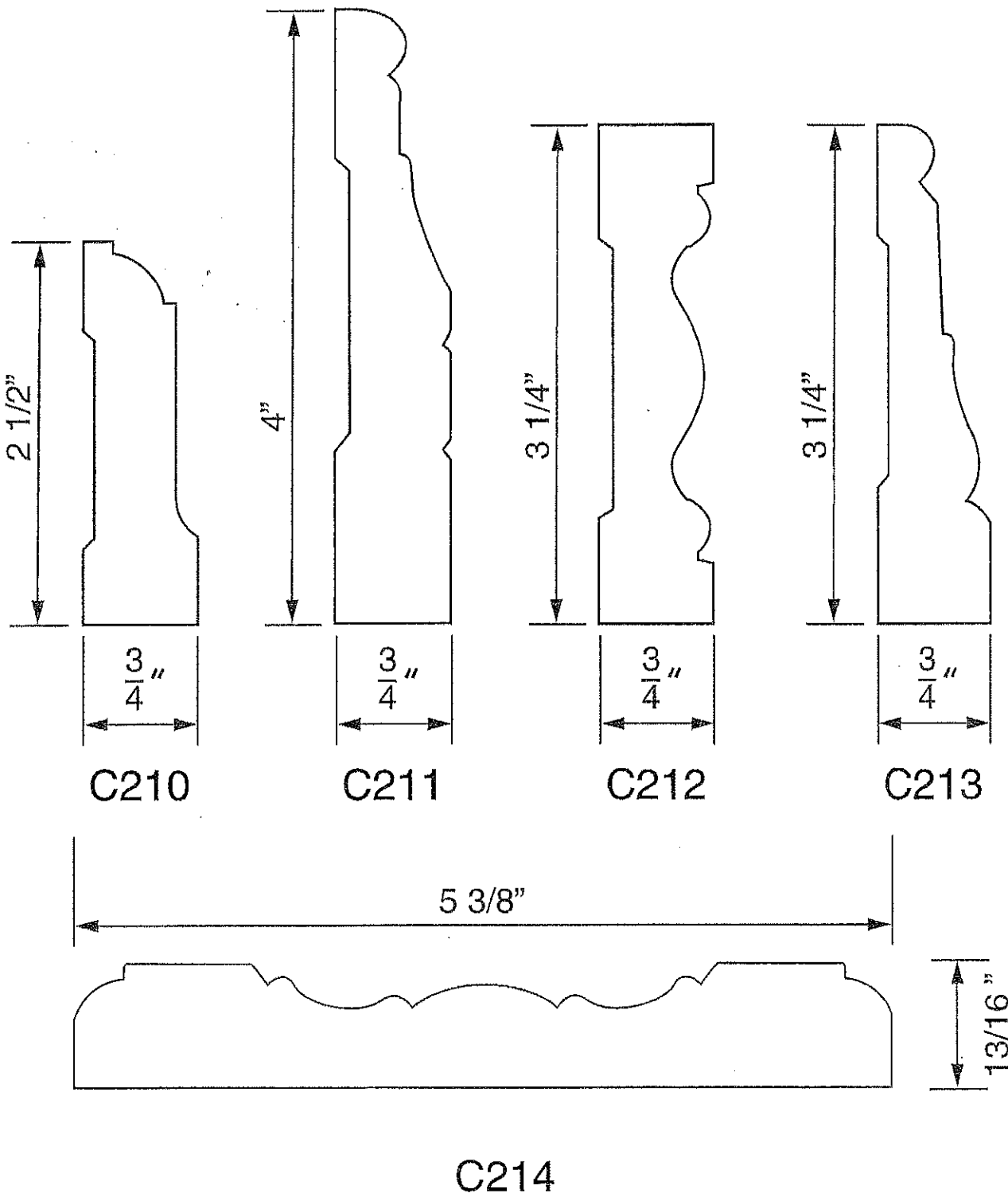
C206

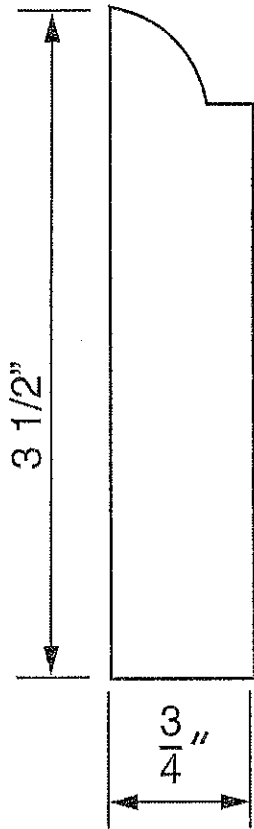
C207

C208

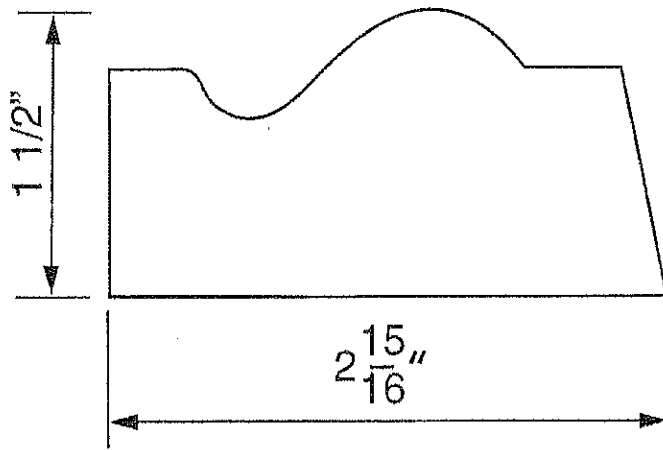


C209

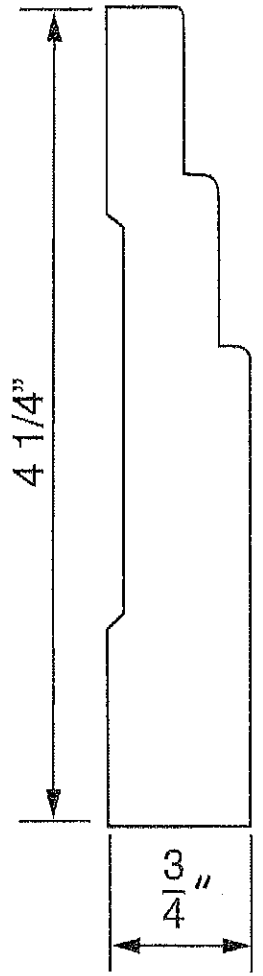




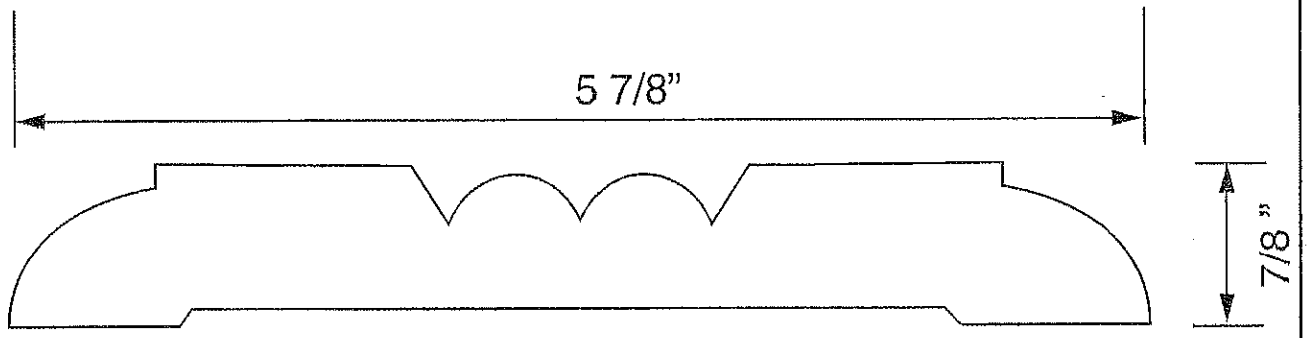
C215



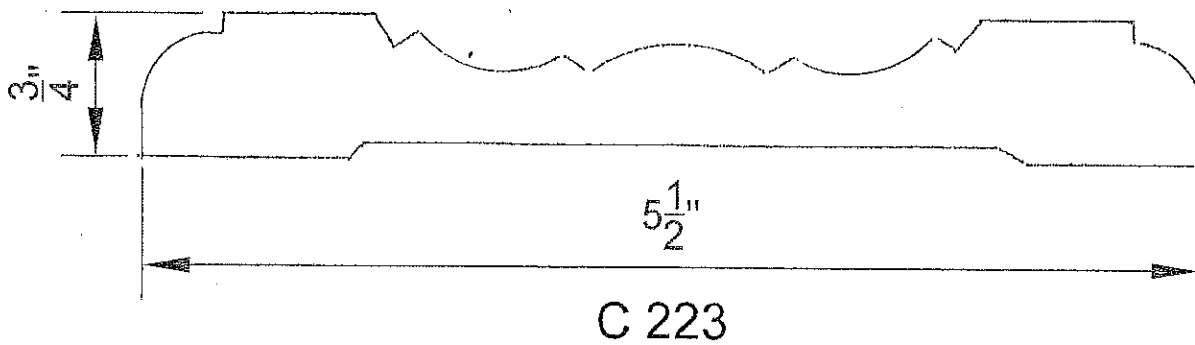
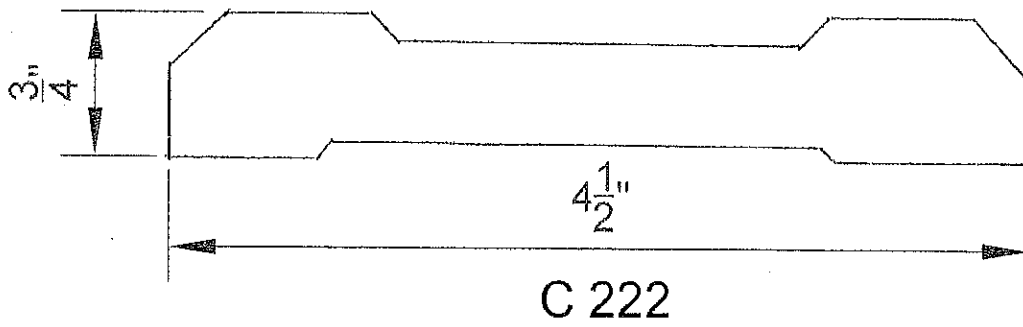
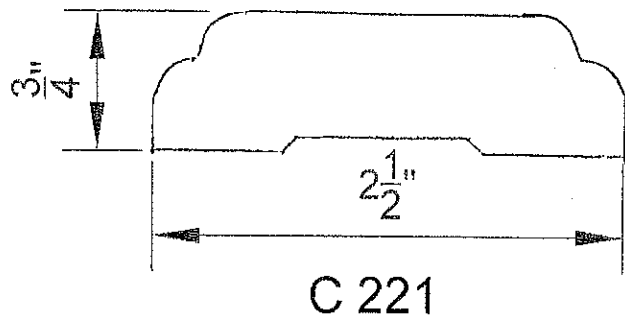
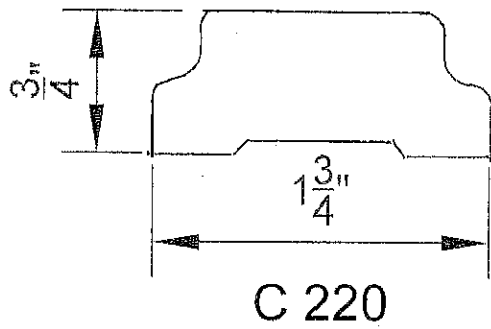
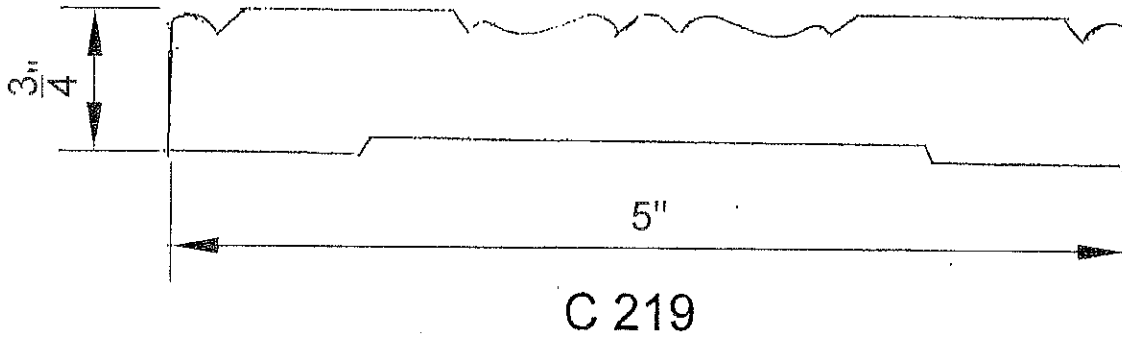
C216



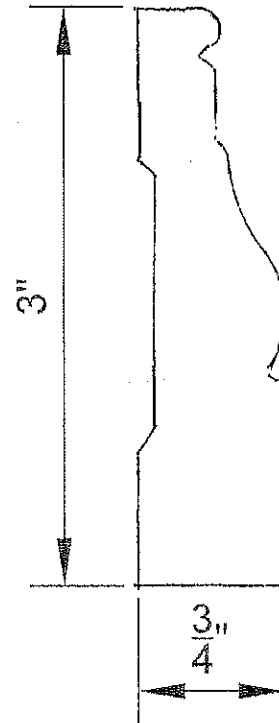
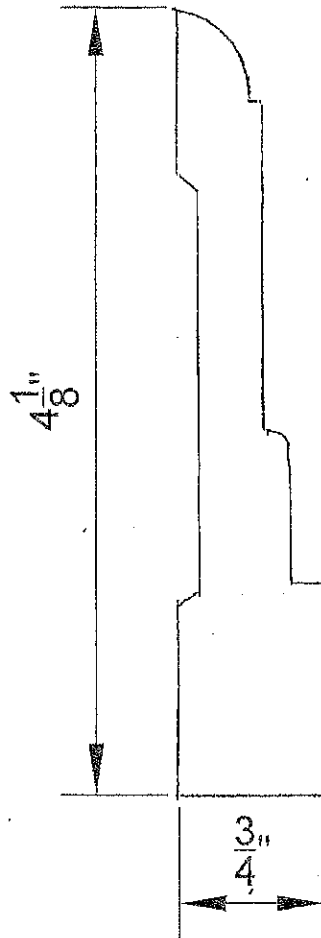
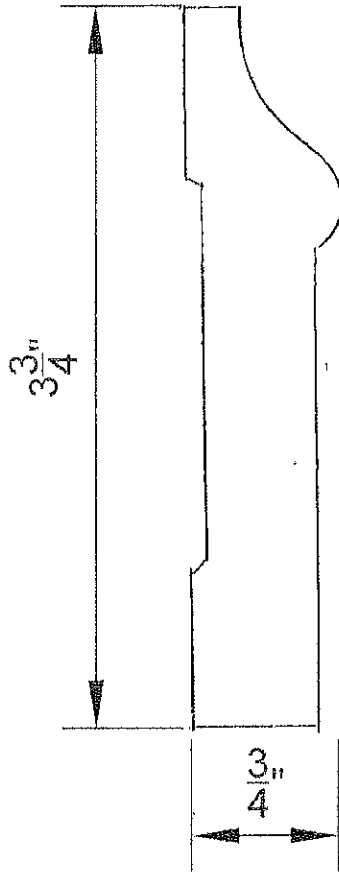
C217



C218

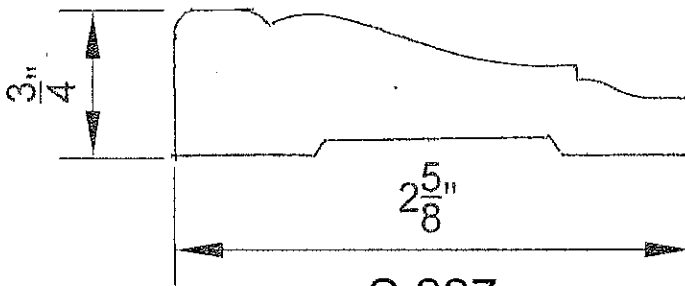


C 224



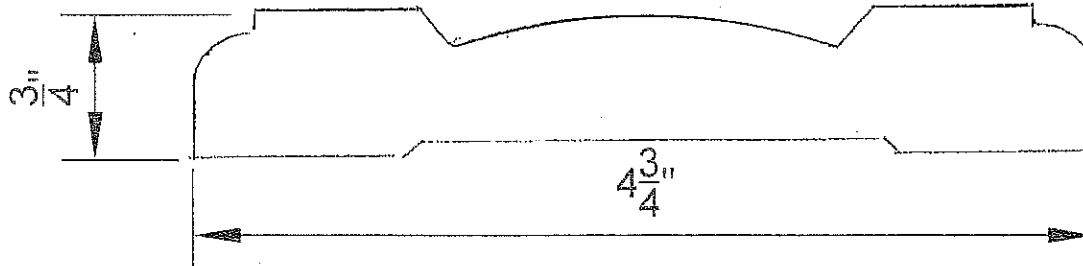
C 225

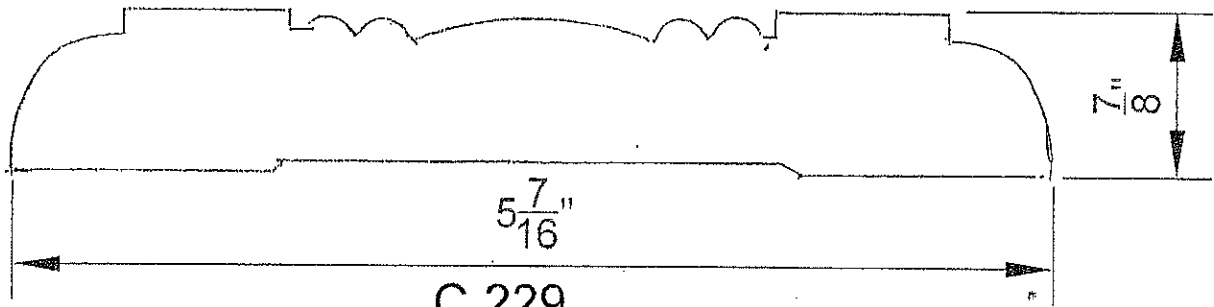
C 226



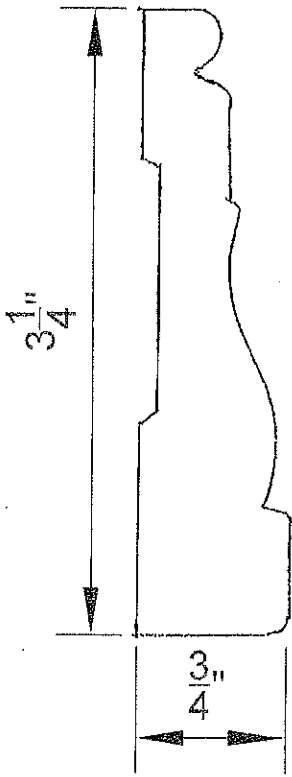
C 227

C 228

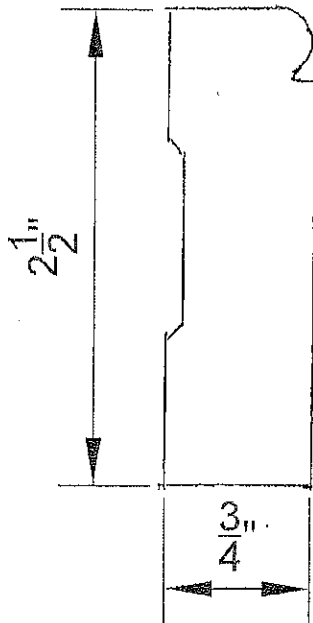




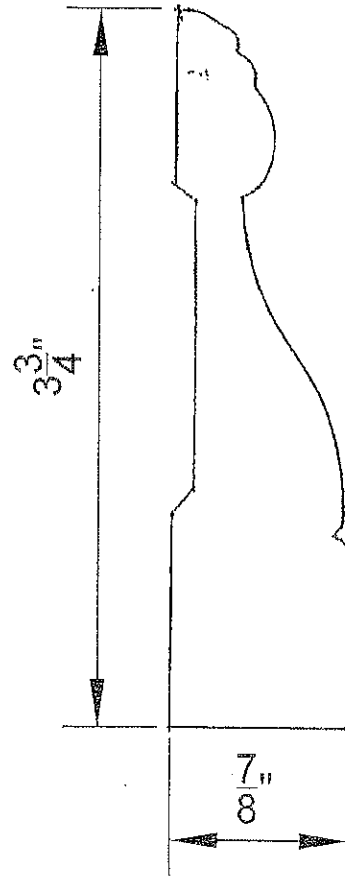
C 229



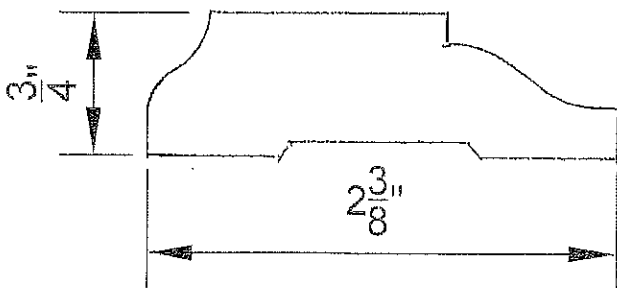
C 230



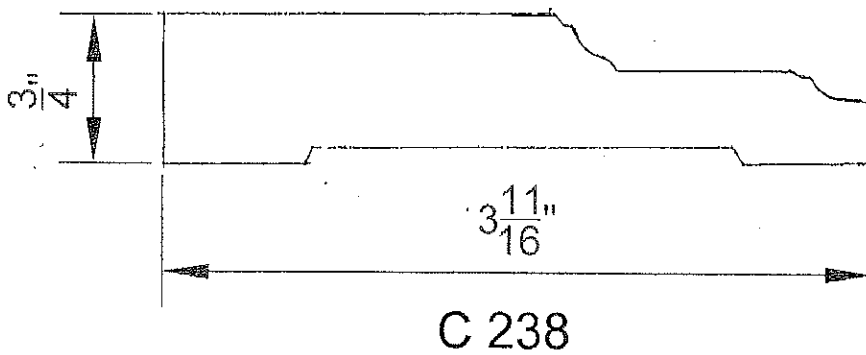
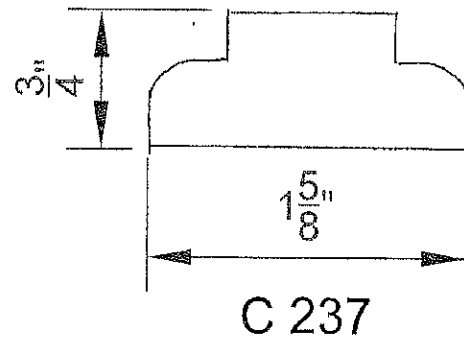
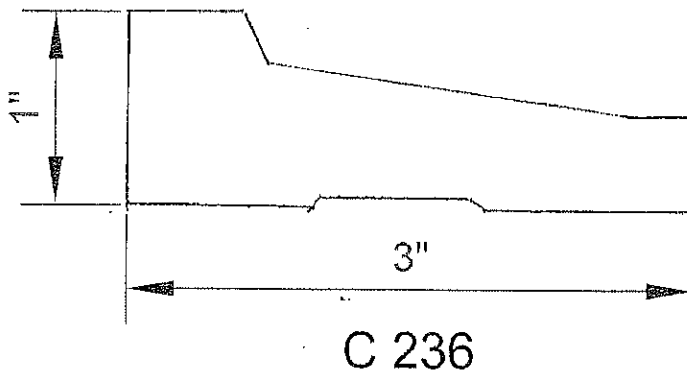
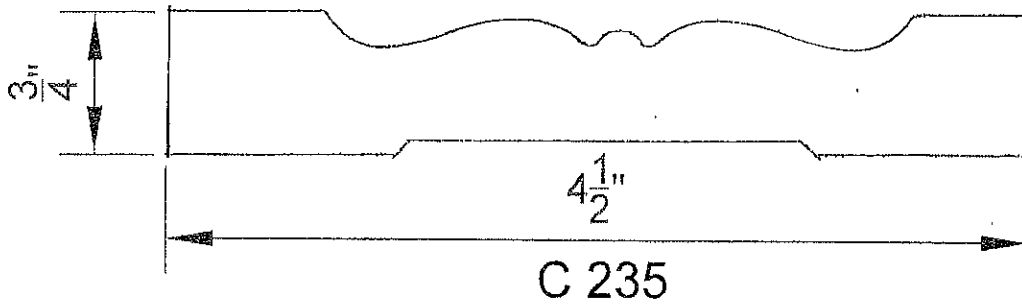
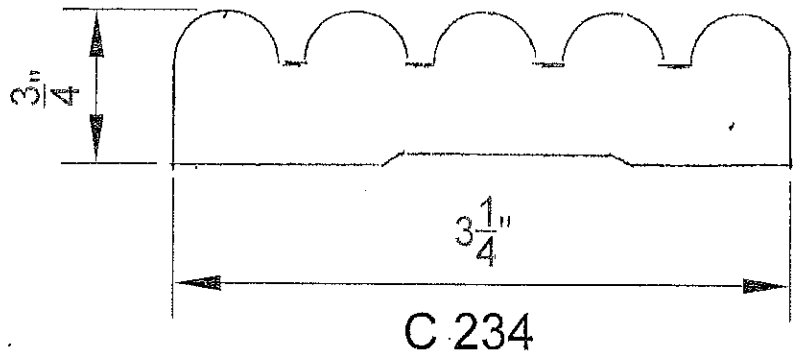
C 231

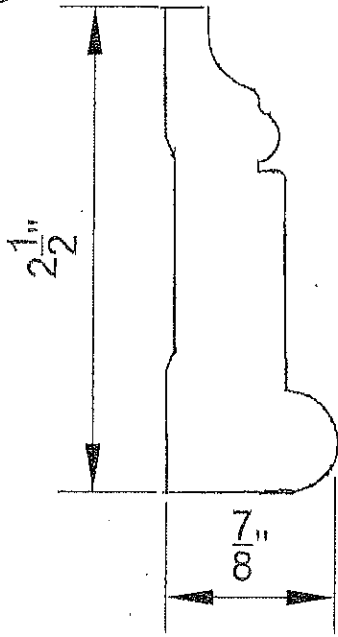


C 232

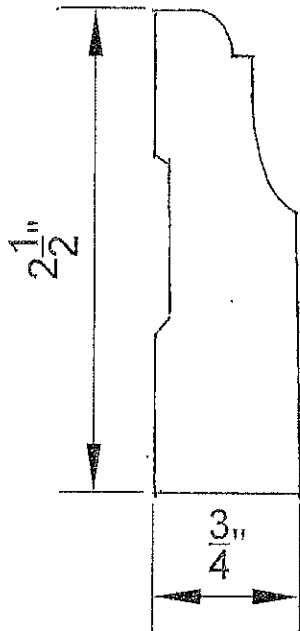


C 233

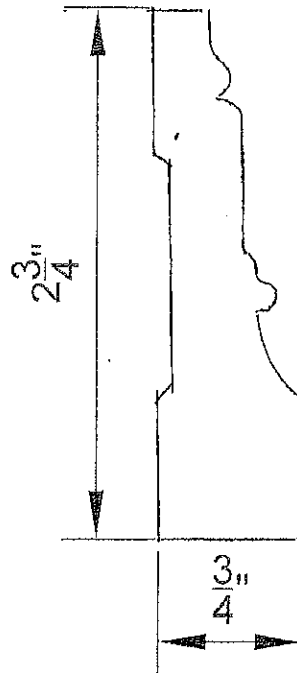




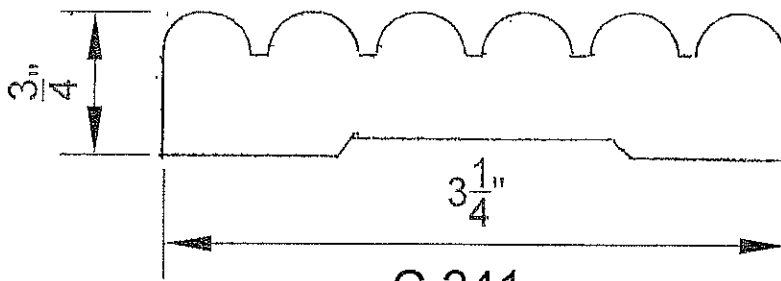
C 239



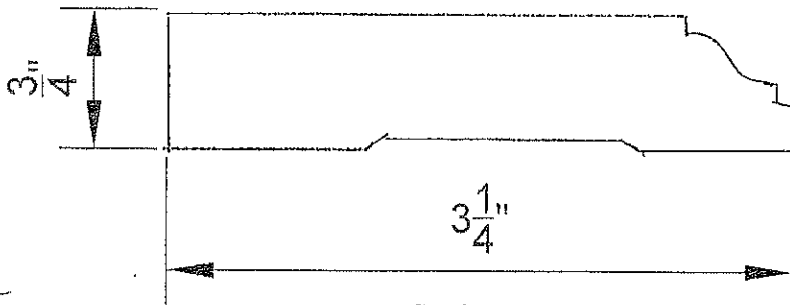
C 240



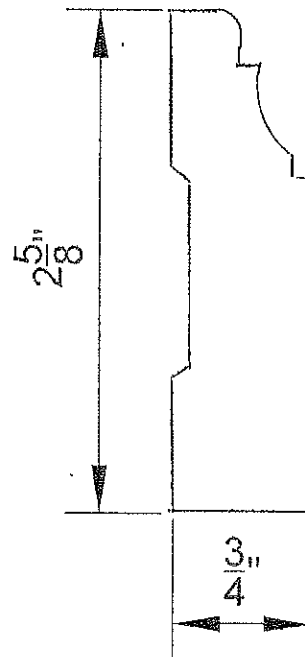
C 242



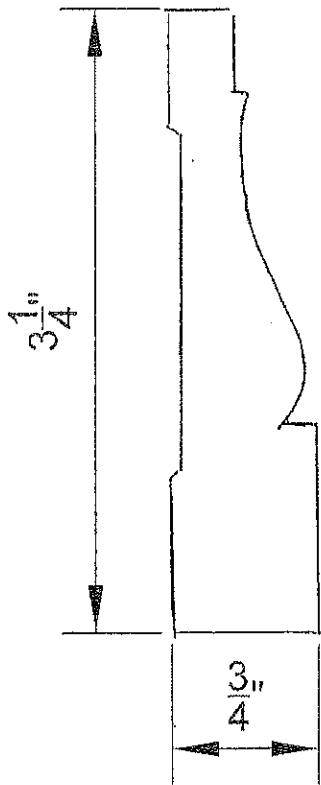
C 241



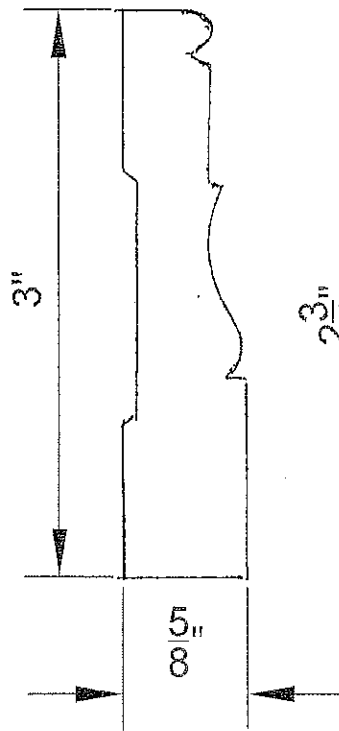
C 243



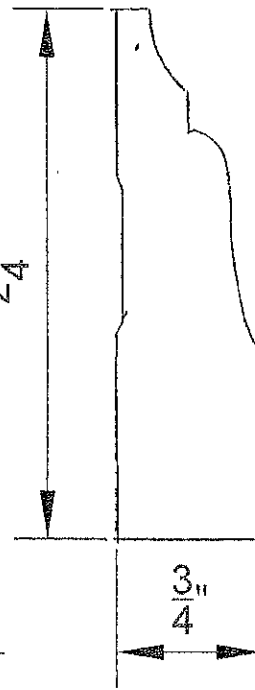
C 244



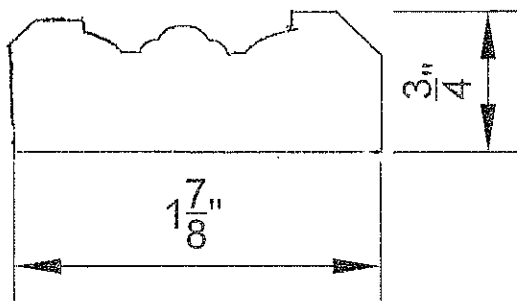
C 245



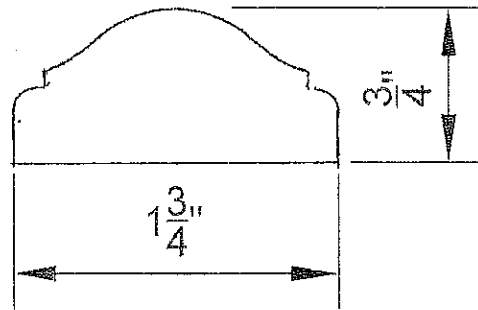
C 246



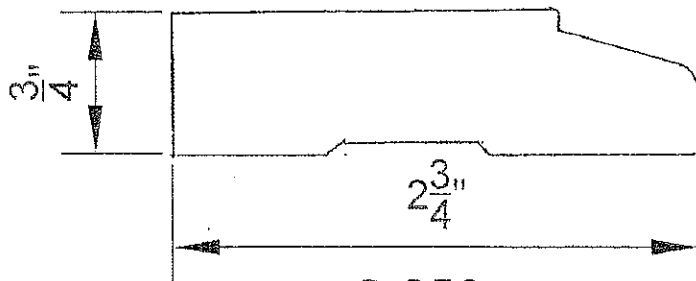
C 247



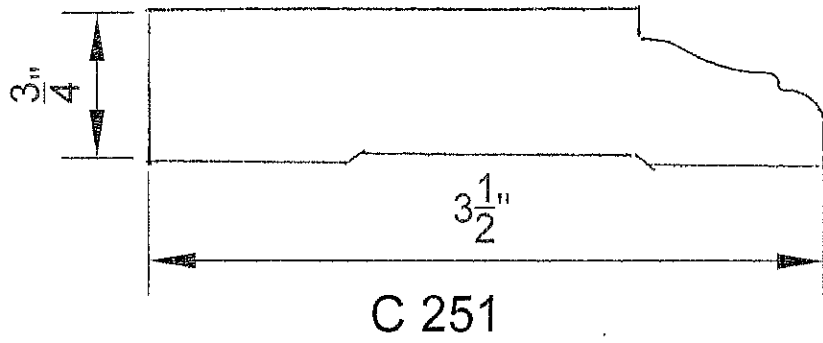
C 248



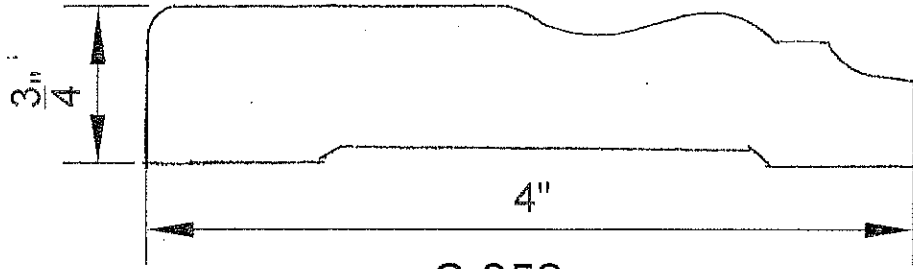
C 249



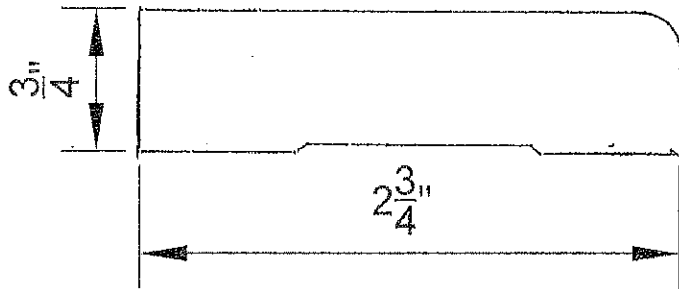
C 250



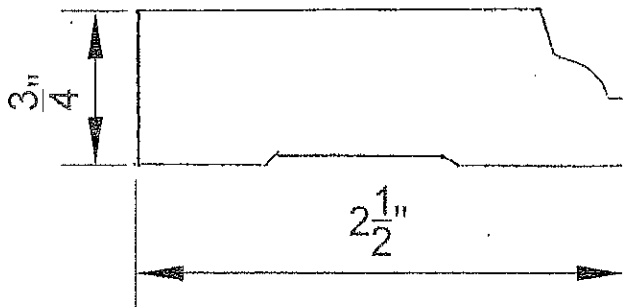
C 251



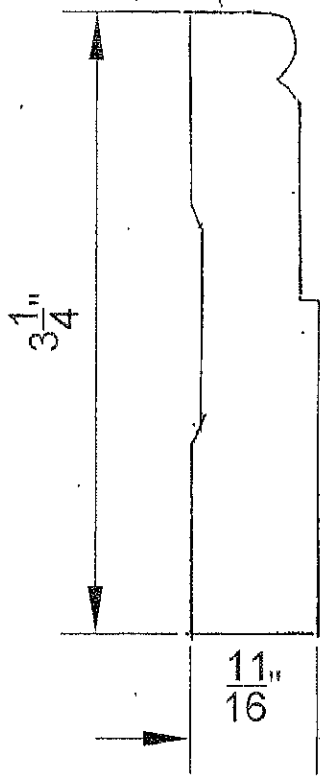
C 252



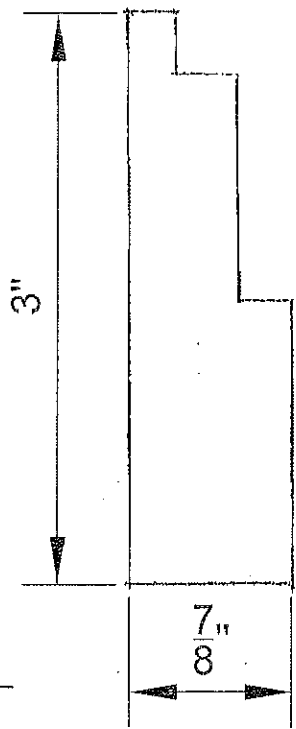
C 253



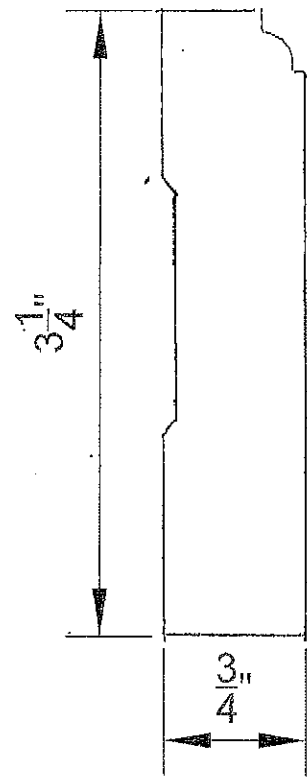
C 254



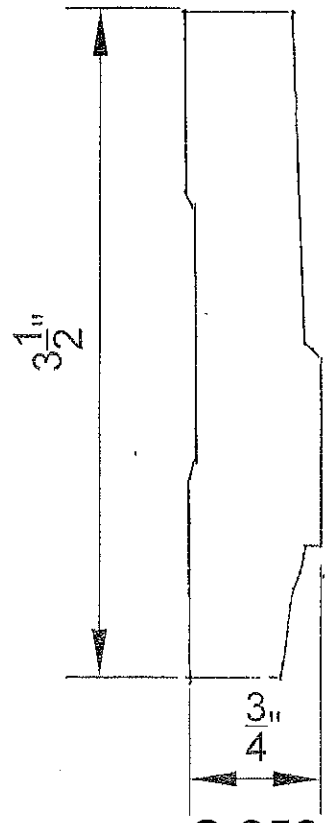
C 255



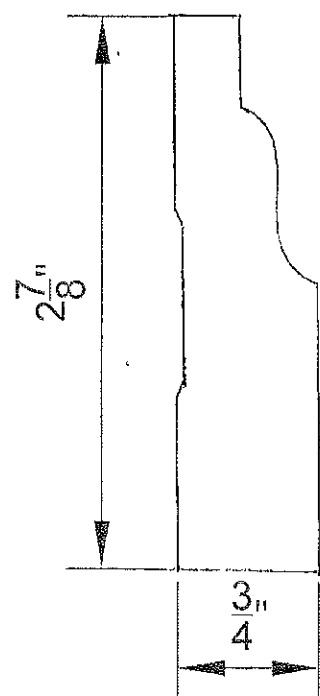
C 256



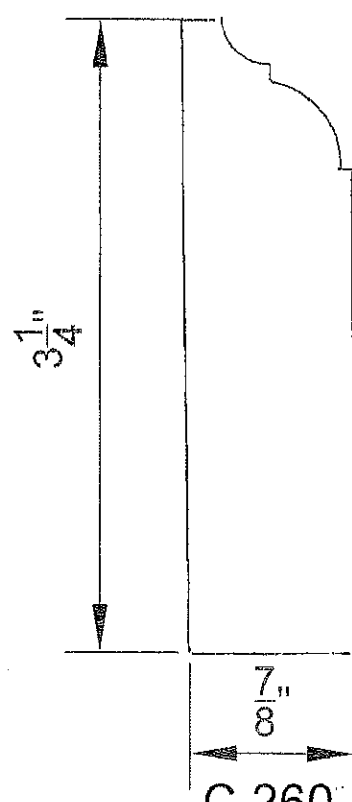
C 257



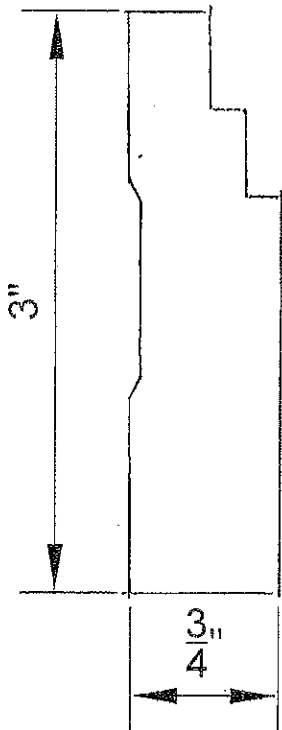
C 258



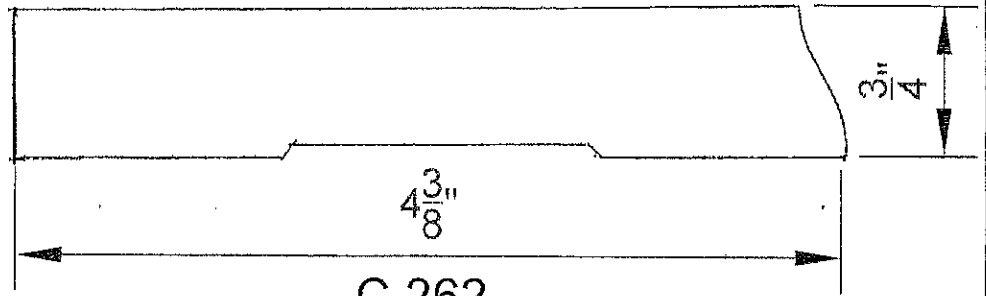
C 259



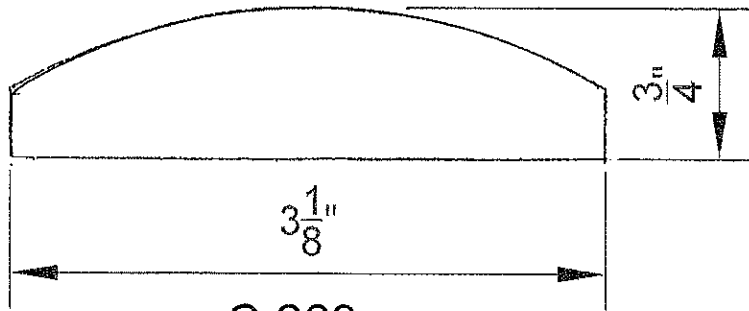
C 260



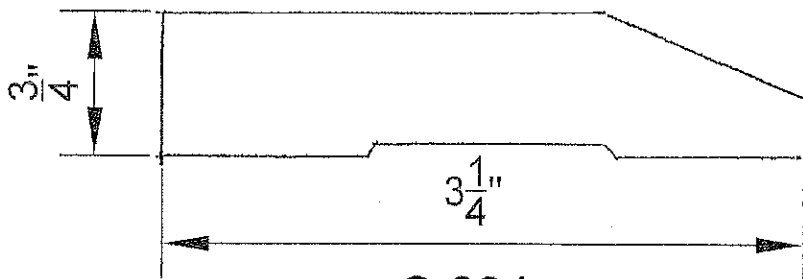
C 261



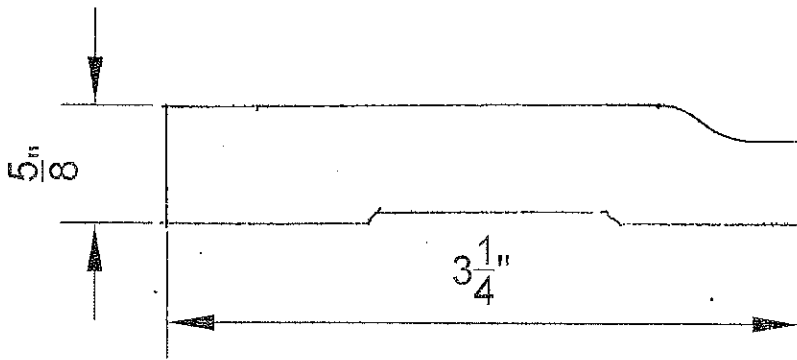
C 262



C 263



C 264



C 265