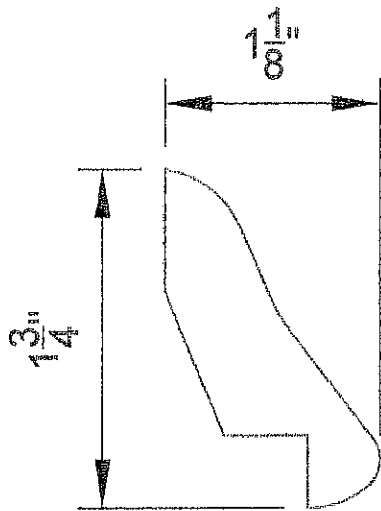
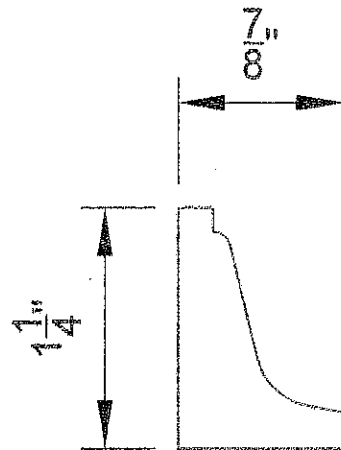


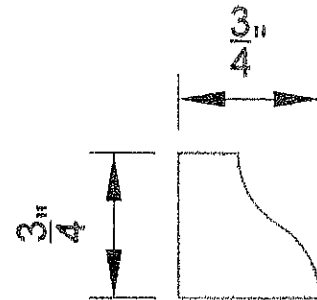
BASE CAPS



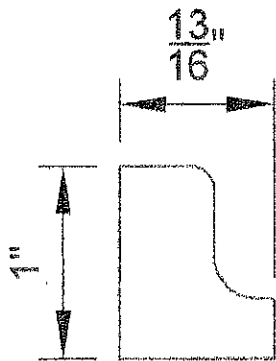
BC 400



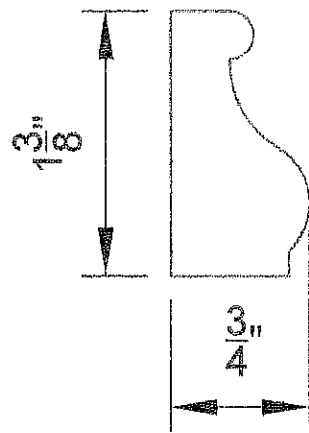
BC 401



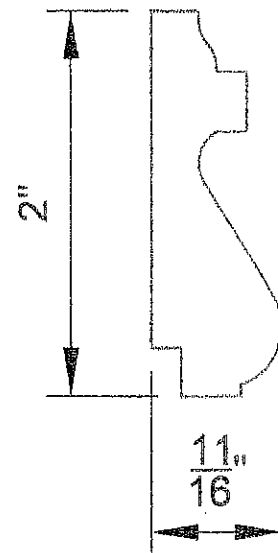
BC 402



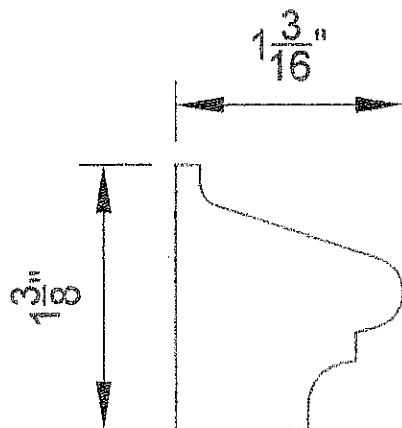
BC 403



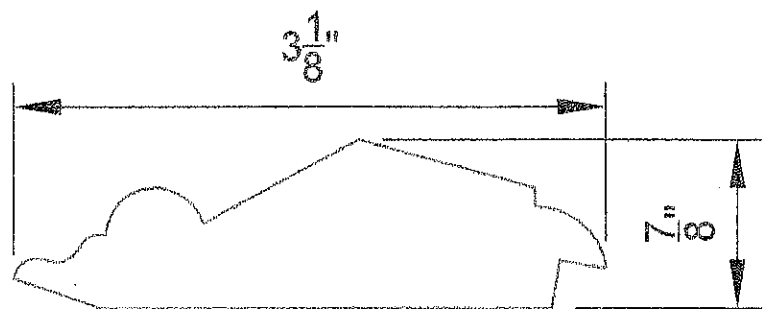
BC 404



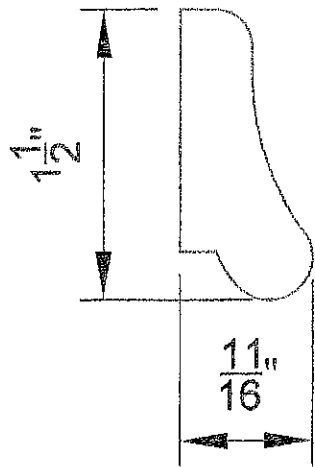
BC 405



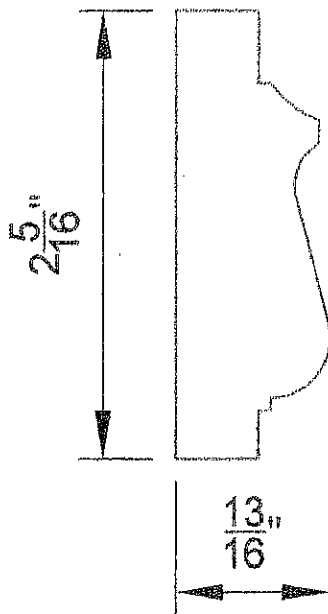
BC 406



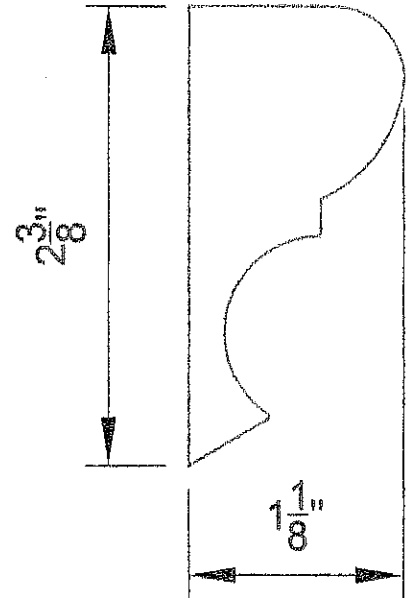
BC 407



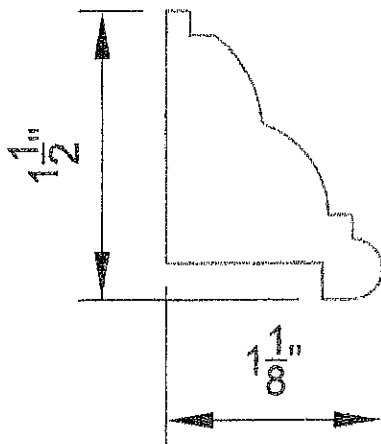
BC 408



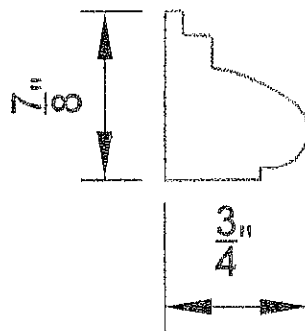
BC 409



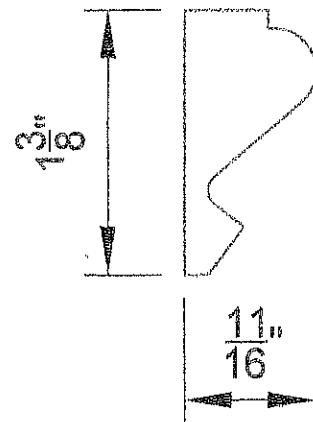
BC 410



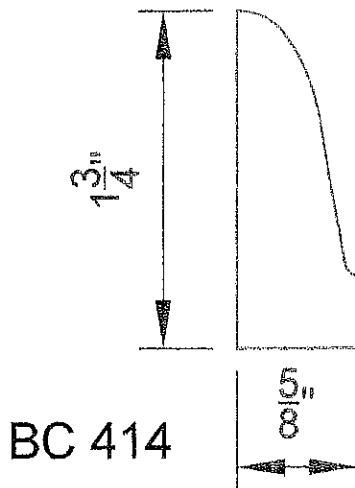
BC 411



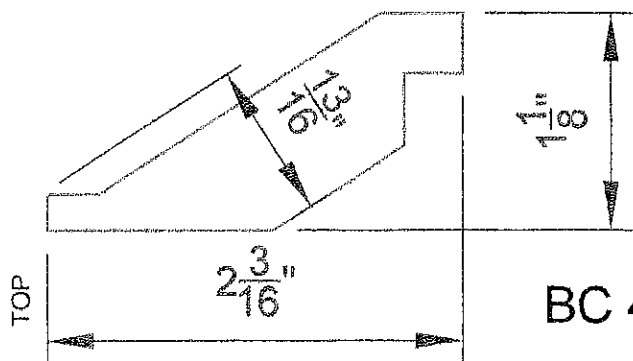
BC 412



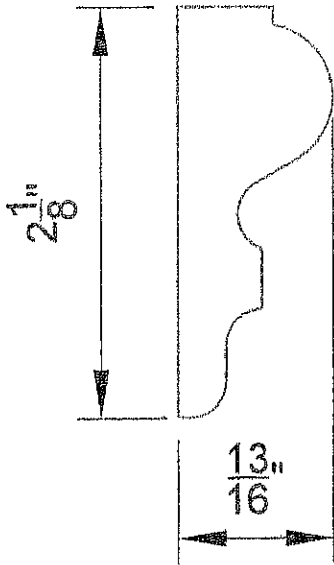
BC 413



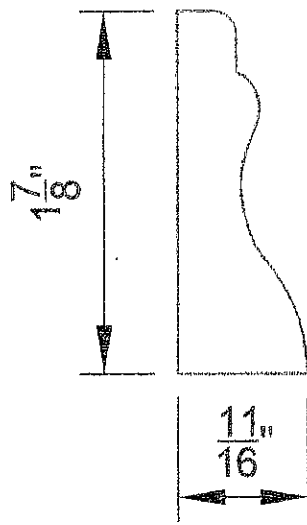
BC 414



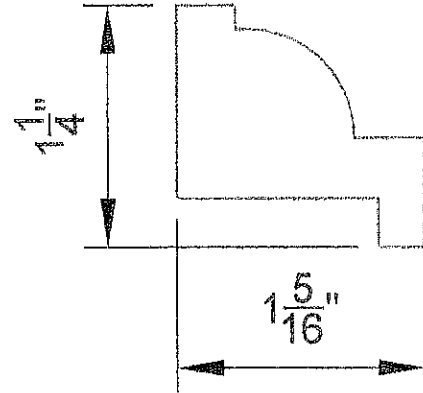
BC 415



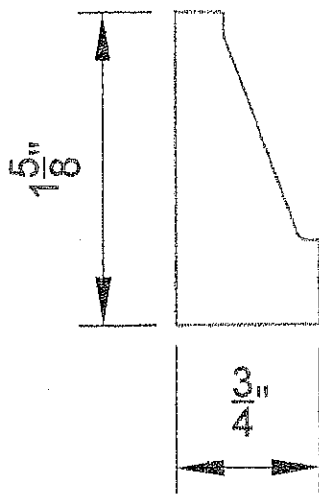
BC 416



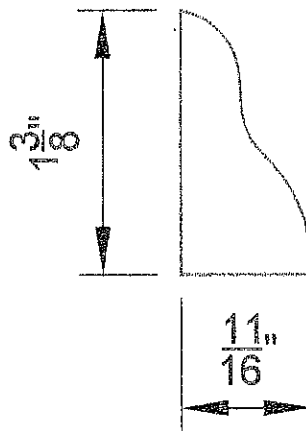
BC 417



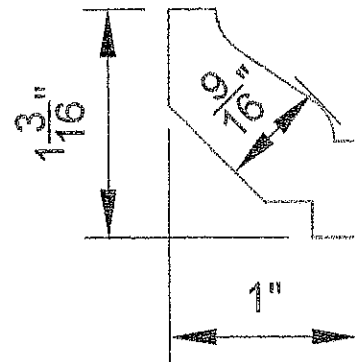
BC 418



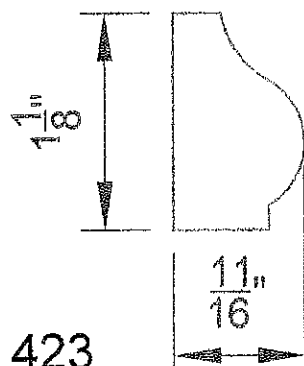
BC 419



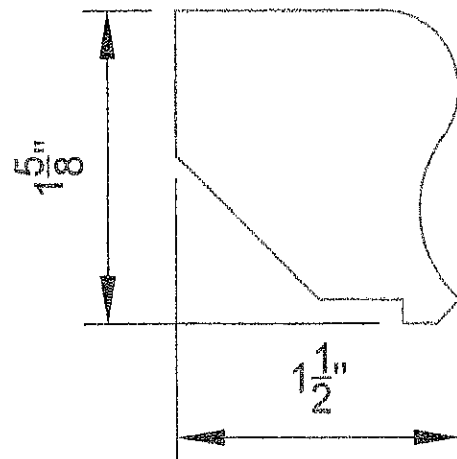
BC 420



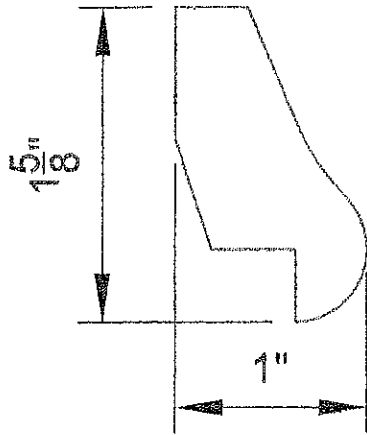
BC 421



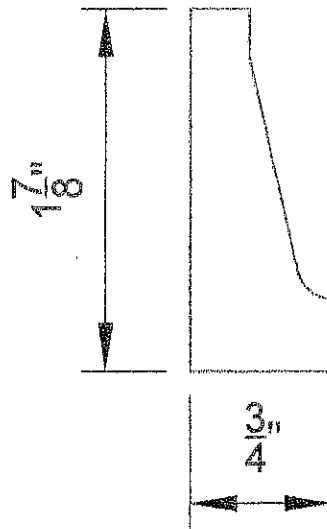
BC 423



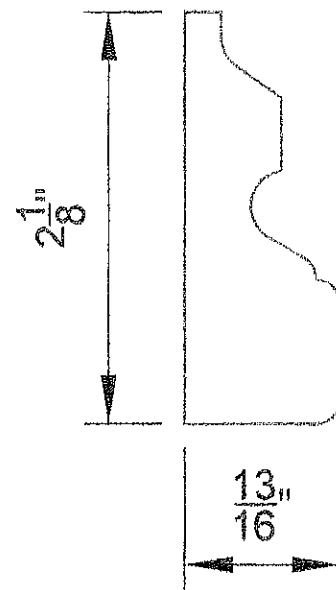
BC 422



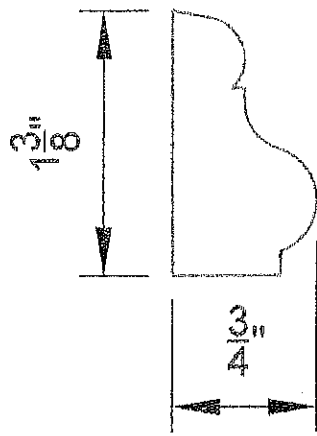
BC 424



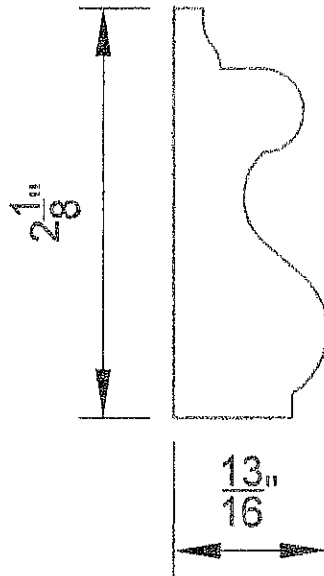
BC 425



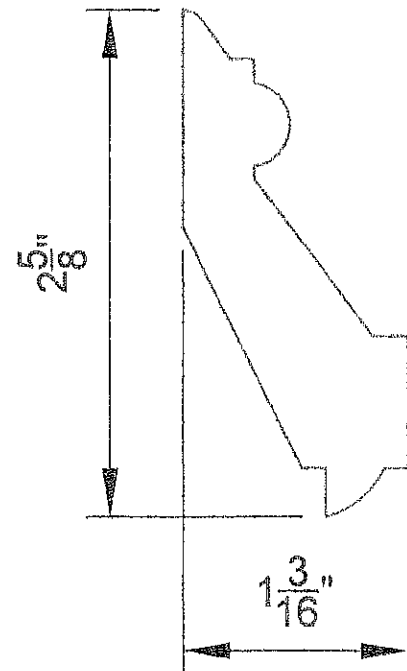
BC 426



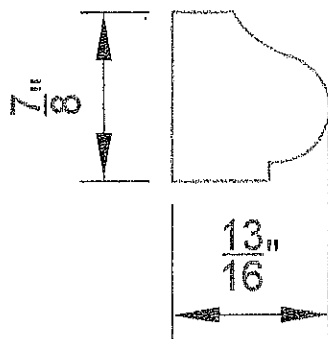
BC 427



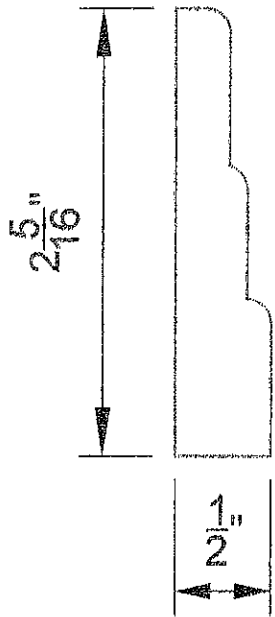
BC 428



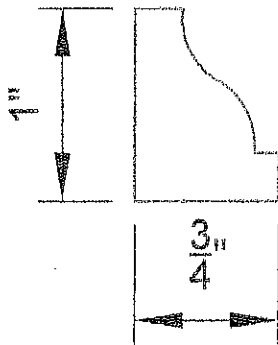
BC 429



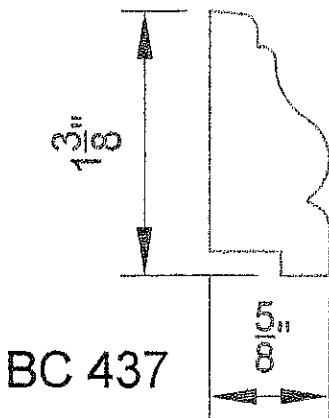
BC 430



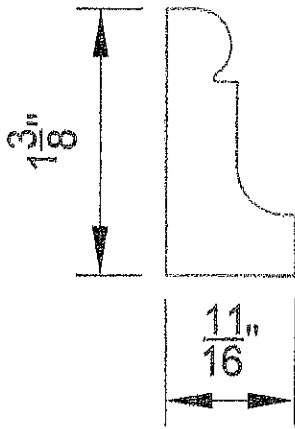
BC 431



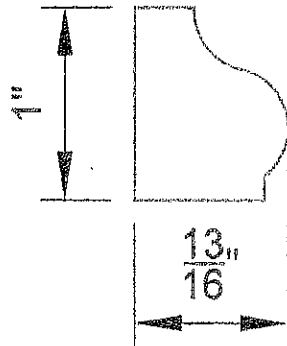
BC 434



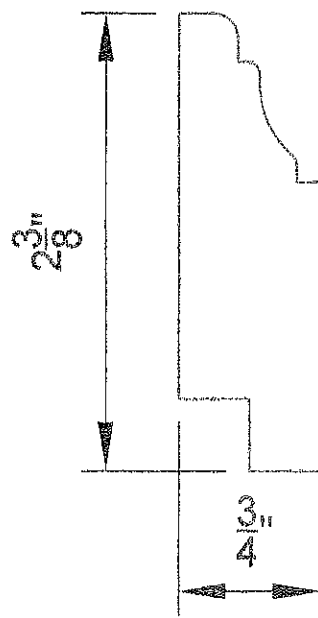
BC 437



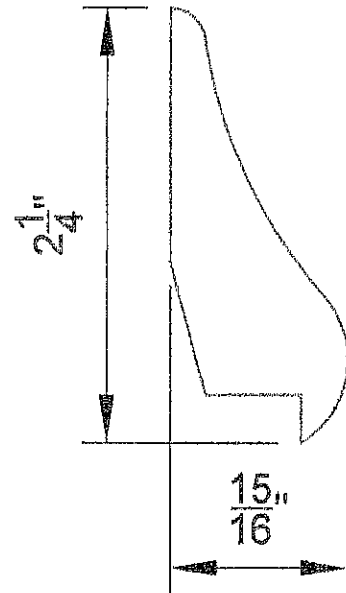
BC 432



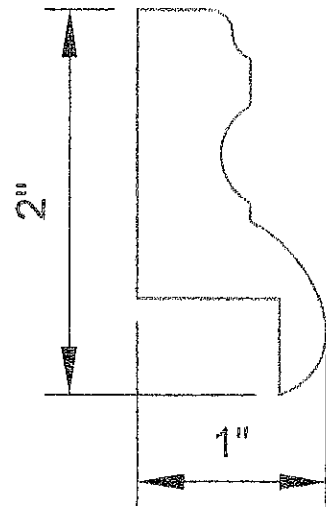
BC 435



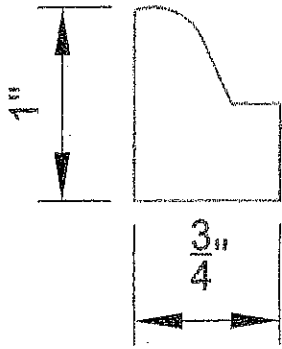
BC 438



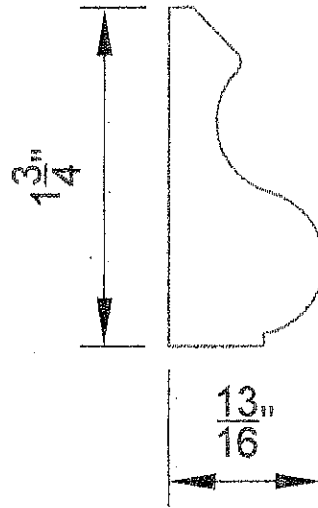
BC 433



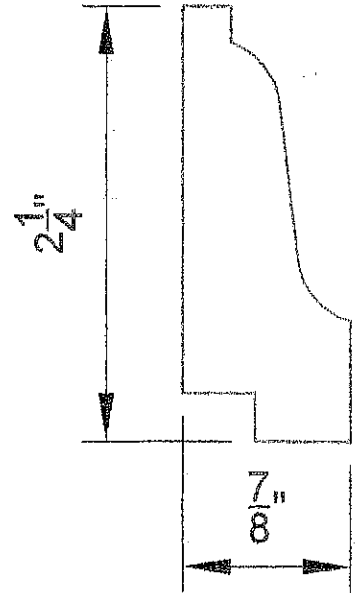
BC 436



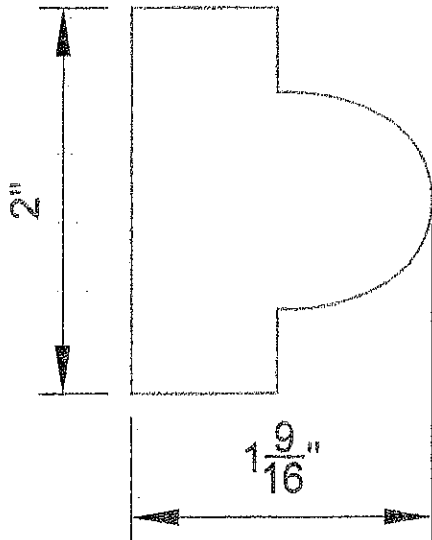
BC 439



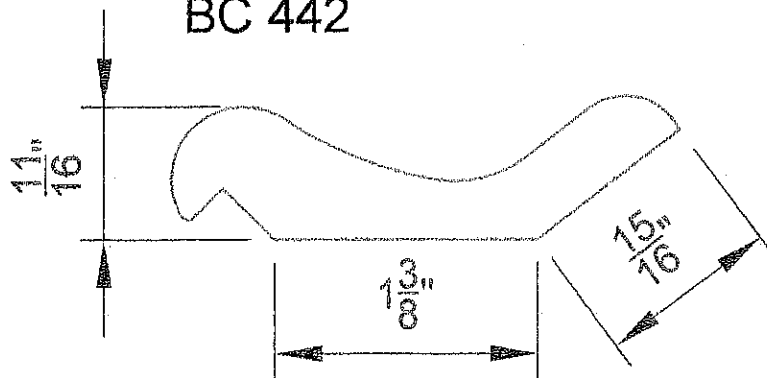
BC 440



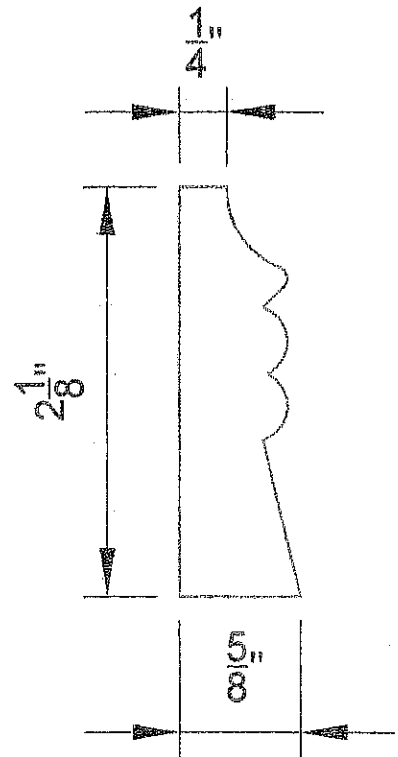
BC 441



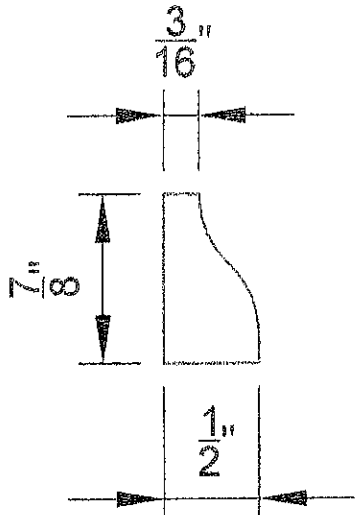
BC 442



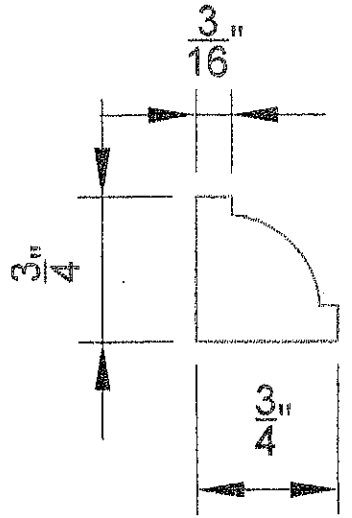
BC 444



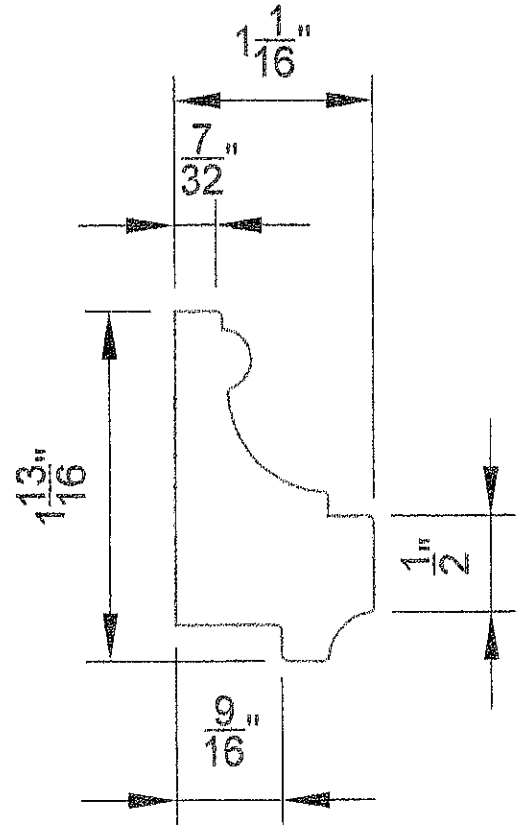
BC 443



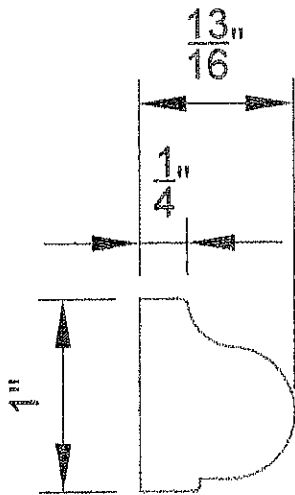
BC 445



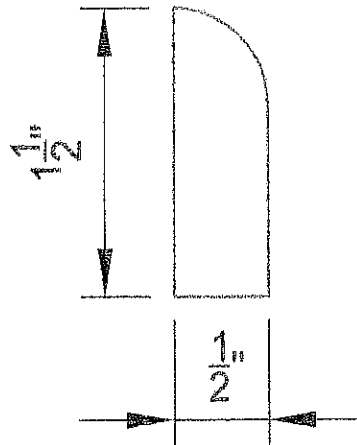
BC 446



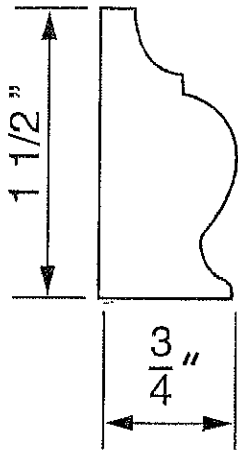
BC 447



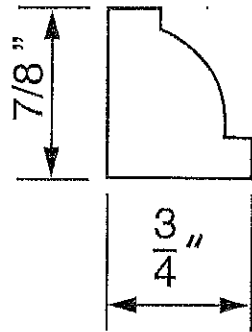
BC 448



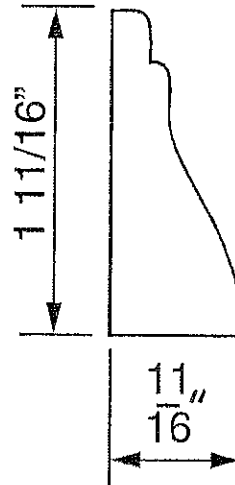
BC 449



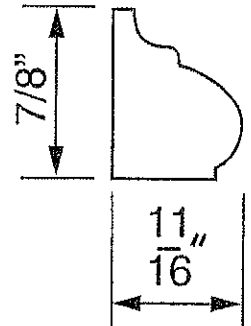
BC450



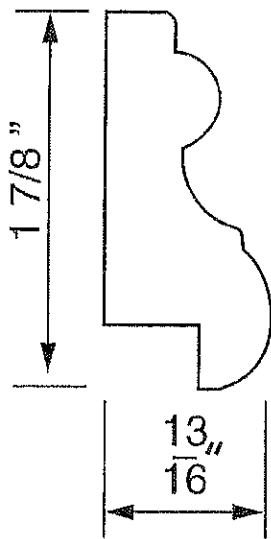
BC451



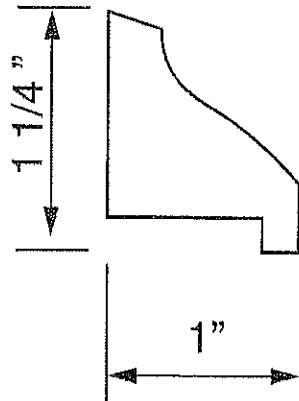
BC452



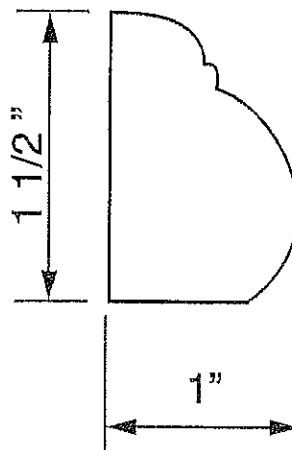
BC453



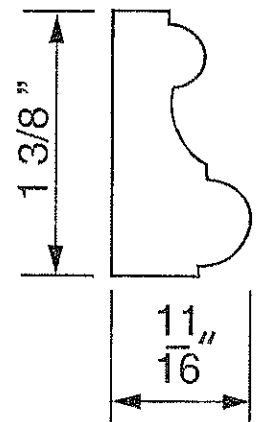
BC454



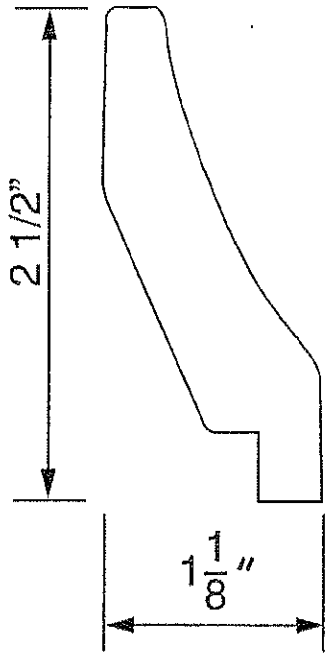
BC455



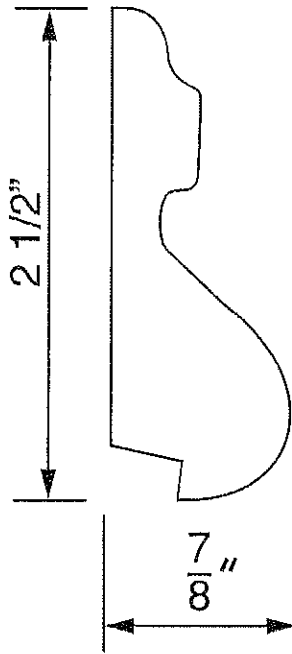
BC456



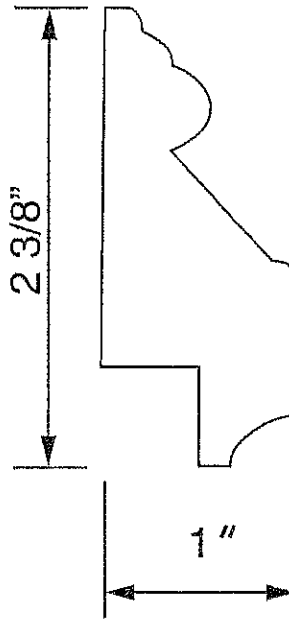
BC457



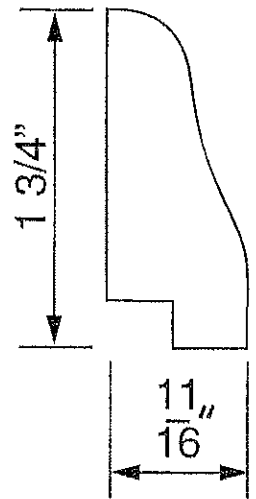
BC458



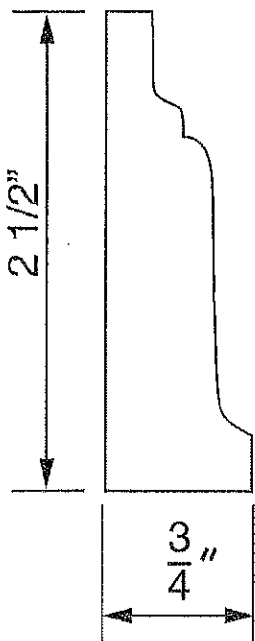
BC459



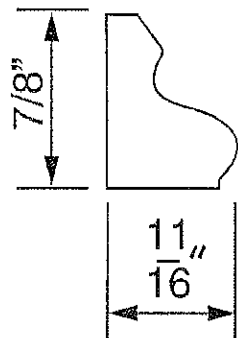
BC460



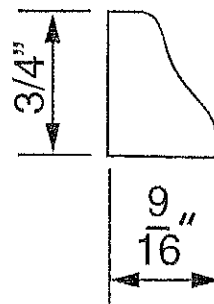
BC461



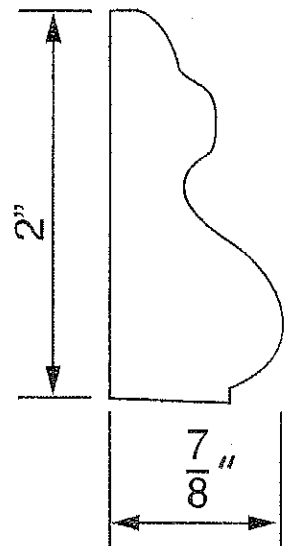
BC462



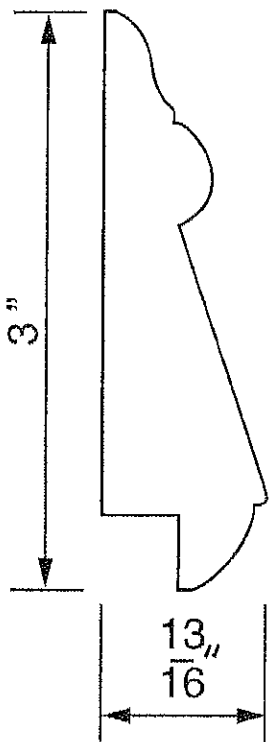
BC463



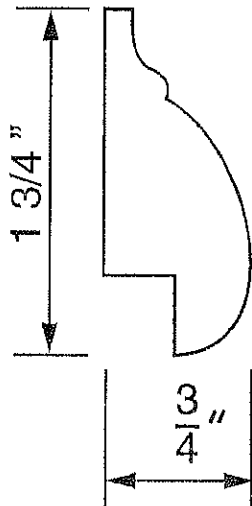
BC464



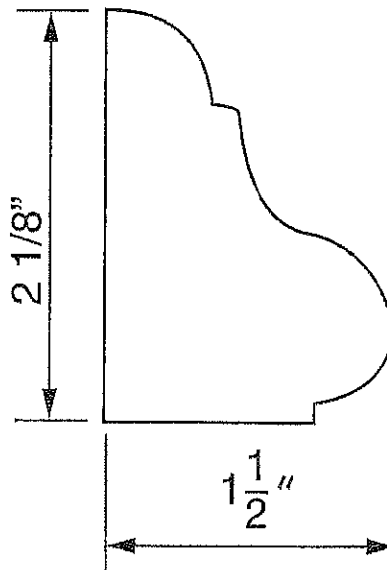
BC465



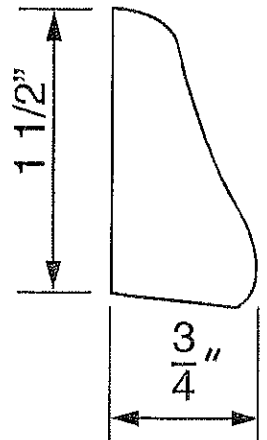
BC466



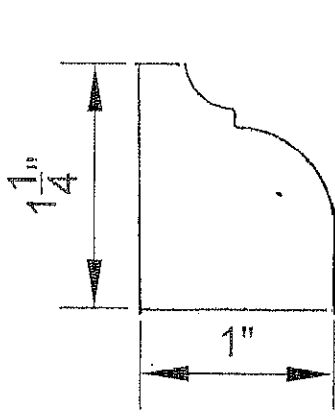
BC467



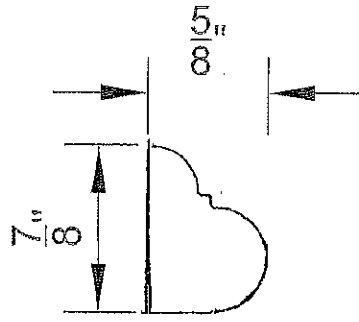
BC468



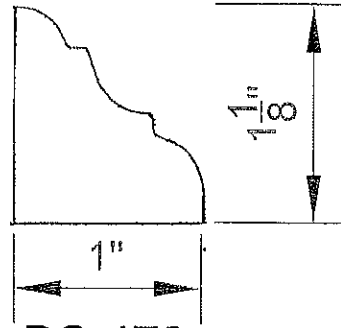
BC469



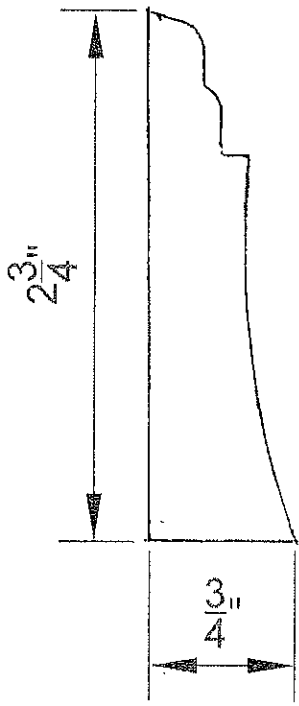
BC 470



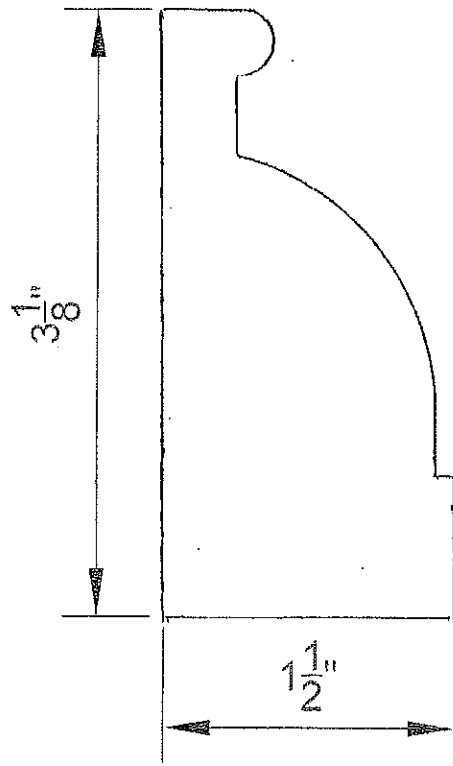
BC 471



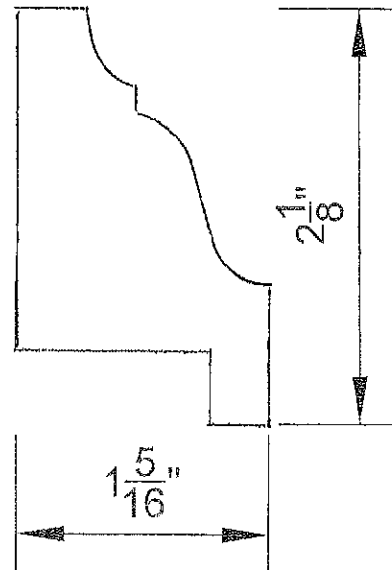
BC 472



BC 473



BC 474



BC 475